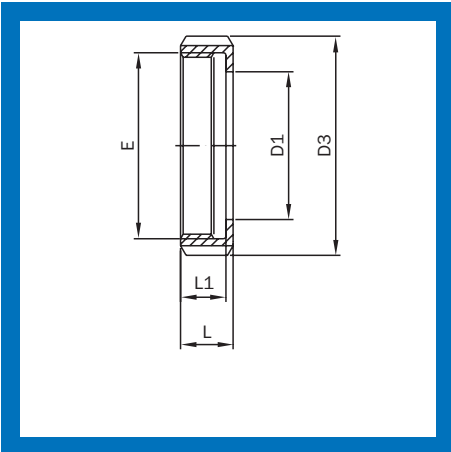
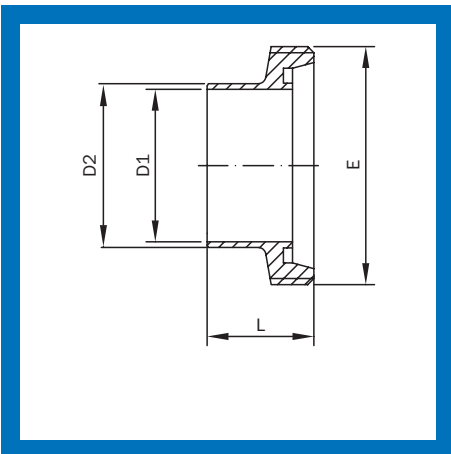


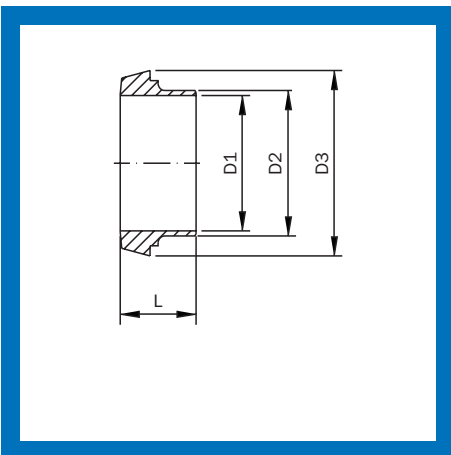
## DIN 11851 Union Imperial



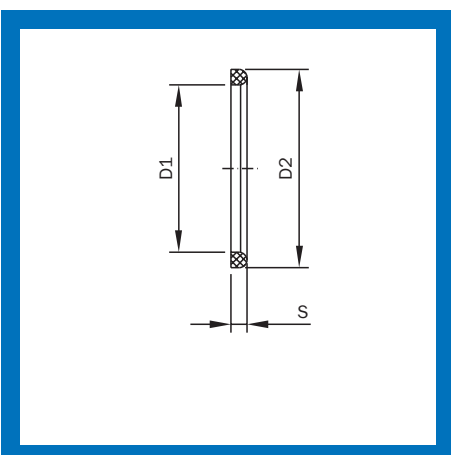
Nut							
Size mm DN	D1	D3	E	L	L1	Weight [kg]	AISI 304L satin Article No.
1"	36	63	Rd 52 x 1/6"	21	18	0.18	56003
1 1/2"	49	78	Rd 65 x 1/6"	21	18	0.25	56005
2"	62	92	Rd 78 x 1/6"	22	19	0.33	56006
2 1/2"	80	112	Rd 95 x 1/6"	25	21	0.55	56007
3"	86.5	120	Rd 104 x 1/6"	26	21	0.65	56013
4"	115	148	Rd 130 x 1/4"	31	26	1.08	56009



Male						
Size mm DN	D1	D2	E	L	Weight [kg]	AISI 316L Satin Article No.
1"	22.1	25.4	Rd 52 x 1/6"	29	0.15	56112
1 1/2"	34.8	38.1	Rd 65 x 1/6"	33	0.25	56113
2"	47.5	50.8	Rd 78 x 1/6"	35	0.34	56114
2 1/2"	60.2	63.5	Rd 95 x 1/6"	40	0.56	56115
3"	72.9	76.2	Rd 104 x 1/6"	40	0.42	56116
4"	97.6	101.6	Rd 130 x 1/4"	54	1.16	56117



Liner						
Size mm DN	D1	D2	D3	L	Weight [kg]	AISI 316L satin Article No.
1"	22.1	25.4	44	22	0.10	56212
1 1/2"	34.8	38.1	56	26	0.15	56213
2"	47.5	50.8	68.5	28	0.21	56214
2 1/2"	60.2	63.5	86	32	0.37	56215
3"	72.9	76.2	93	32	0.34	56216
4"	97.6	101.6	121	44	0.82	56217



Seal						
Size mm DN	D1	D2	S	EPDM Article No.	NITRILE Article No.	VITON® Article No.
1"	30	40	5	56303	56403	56503
1 1/2"	42	52	5	56305	56405	56505
2"	54	64	5	56306	56406	56506
2 1/2"	71	81	5	56307	56407	56507
3"	78	88	5	56313	56413	56513
4"	104	114	6	56309	56409	56409