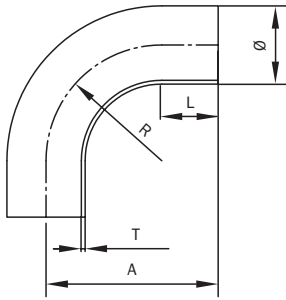
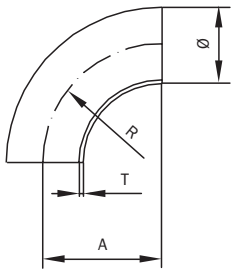


## Fittings



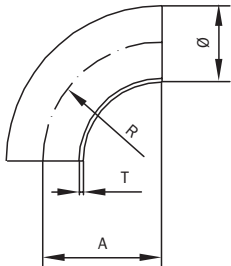
### BS 90° Bend long

Size mm (inch)	Ø	T	R	A	L	Weight [kg]	AISI 304L matt	AISI 304L satin	AISI 316L matt	AISI 316L satin
							Article No.	Article No.	Article No.	Article No.
12.7	12.7	1.6	19.05	45	22	0.03				51000
19.05	19.05	1.6	28.58	60	30	0.04				51001
25.4	25.4	1.6	37.5	65	27.5	0.11	40002	41002	50002	51002
31.8	31.8	1.6	47.7	75	25	0.15	40003	41003	50003	51003
38.1	38.1	1.6	57	85	28	0.21	40004	41004	50004	51004
50.8	50.8	1.6	76.5	110	33.5	0.36	40005	41005	50005	51005
63.5	63.5	1.6	95.3	135	39.7	0.55	40006	41006	50006	51006
76.2	76.2	1.6	114	155	40.8	0.78	40007	41007	50007	51007
101.6	101.6	2	153	195	42.5	1.6	40008	41008	50008	51008



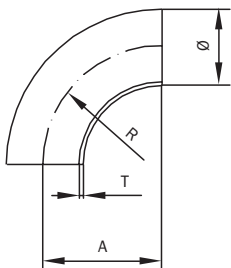
### BS 90° Bend short

Size mm (inch)	Ø	T	R	A	Weight [kg]	AISI 304L matt	AISI 304L satin	AISI 316L matt	AISI 316L satin
						Article No.	Article No.	Article No.	Article No.
25.4	25.4	1.6	37.5	44	0.07	40009	41009	50009	51009
38.1	38.1	1.6	57	64	0.13	40010	41010	50010	51010
50.8	50.8	1.6	76.5	89	0.29	40011	41011	50011	51011
63.5	63.5	1.6	95.3	114	0.59	40012	41012	50012	51012
76.2	76.2	1.6	114	134	0.73	40013	41013	50013	51013
101.6	101.6	2	153	174	1.13	40014	41014	50014	51014



### BS 90° Bend 1XD

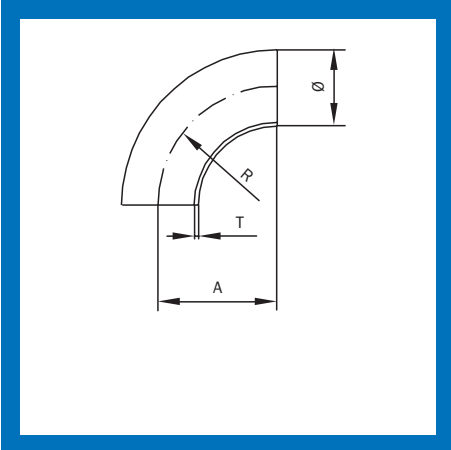
Size mm (inch)	Ø	T	R	A	Weight [kg]	AISI 304L matt	AISI 304L satin	AISI 316L matt	AISI 316L satin
						Article No.	Article No.	Article No.	Article No.
25.4	25.4	1.6	25	55	0.06		41015		51015
38.1	38.1	1.6	38	70	0.14		41016		51016
50.8	50.8	1.6	51	82	0.19		41017		51017
63.5	63.5	1.6	64	105	0.41		41018		51018
76.2	76.2	1.6	76	110	0.64		41019		51019
101.6	101.6	2	110	150	1.15		41020		51020



### BS 90° Bend 2XD

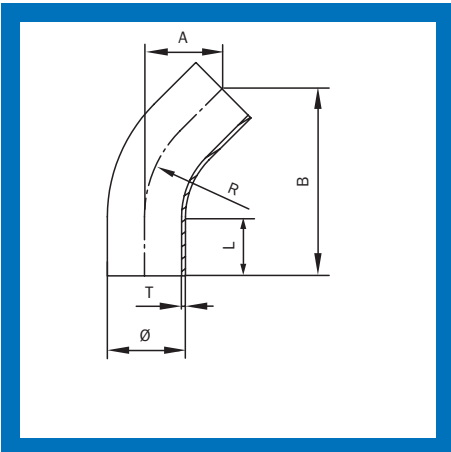
Size mm (inch)	Ø	T	R	A	Weight [kg]	AISI 304L matt	AISI 304L satin	AISI 316L matt	AISI 316L satin
						Article No.	Article No.	Article No.	Article No.
25.4	25.4	1.6	50.8	80	0.13				51021
38.1	38.1	1.6	76.2	105	0.26				51022
50.8	50.8	1.6	101.6	130	0.43				51023
63.5	63.5	1.6	127	160	0.63				51024
76.2	76.2	1.6	152.4	215	1.09				51025
101.6	101.6	2	203.2	213.2	1.57				51026

## Fittings



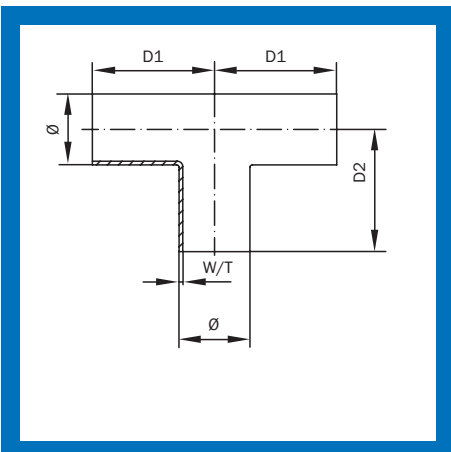
**BS 90° Bend 3XD**

Size mm (inch)	Ø	T	R	A	Weight [kg]				AISI 316L satin
									Article No.
25.4	25.4	1.6	75.9	115	0.18				51027
38.1	38.1	1.6	114.3	140	0.33				51028
50.8	50.8	1.6	153	225	0.77				51029
63.5	63.5	1.6	190.5	230	0.95				51030
76.2	76.2	1.6	228.6	240	1.16				51031
101.6	101.6	2	304.8	365.5	3.13				51032



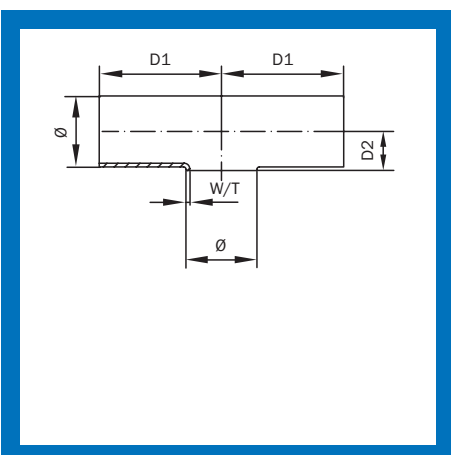
**BS 45° Bend long**

Size mm (inch)	Ø	T	R	A	L	Weight [kg]	AISI 304L matt	AISI 304L satin	AISI 316L matt	AISI 316L satin
							Article No.	Article No.	Article No.	Article No.
25.4	25.4	1.6	37.5	21.3	14.6	0.07	40076	41076	50076	51076
38.1	38.1	1.6	57	29.2	17.7	0.15	40077	41077	50077	51077
50.8	50.8	1.6	76.5	41.5	27	0.23	40078	41078	50078	51078
63.5	63.5	1.6	95.3	53.8	36.7	0.40	40079	41079	50079	51079
76.2	76.2	1.6	114	63.8	42.9	0.60	40080	41080	50080	51080
101.6	101.6	2	153	86.4	59.2	1.10	40081	41081	50081	51081



**BS Equal Tee**

Size mm (inch)	Ø	W/T	D1	D2	Weight [kg]		AISI 304L satin	AISI 316L matt	AISI 316L satin
							Article No.	Article No.	Article No.
12.7	12.7	1.6	35	35	0.04				53000
19.05	19.05	1.6	35	35	0.05				53001
25.4	25.4	1.6	44	44	0.13		43002	52002	53002
38.1	38.1	1.6	64	64	0.25		43003	52003	53003
50.8	50.8	1.6	89	89	0.40		43004	52004	53004
63.5	63.5	1.6	114	114	0.68		43005	52005	53005
76.2	76.2	1.6	134	134	1.02		43006	52006	53006
101.6	101.6	2	174	174	2.20		43007	52007	53007



**BS Equal Tee short (pulled)**

Size mm (inch)	Ø	W/T	D1	D2	Weight [kg]		AISI 304L satin	AISI 316L matt	AISI 316L satin
							Article No.	Article No.	Article No.
25.4	25.4	1.6	44	14	0.11		43008	52008	53008
38.1	38.1	1.6	64	19.9/22	0.25		43009	52009	53009
50.8	50.8	1.6	89	27.6/29	0.35		43010	52010	53010
63.5	63.5	1.6	114	34.9	0.46		43011	52011	53011
76.2	76.2	1.6	134	40.9	0.92		43012	52012	53012
101.6	101.6	2	174	54.7	1.85		43013	52013	53013