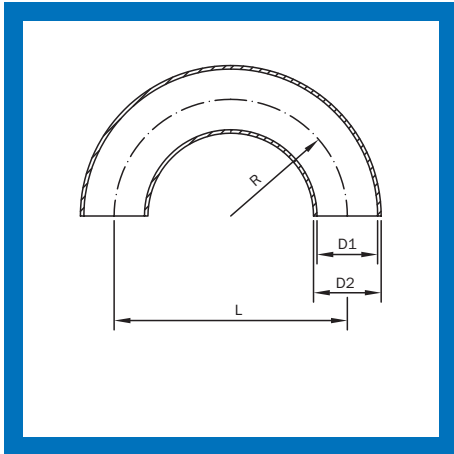
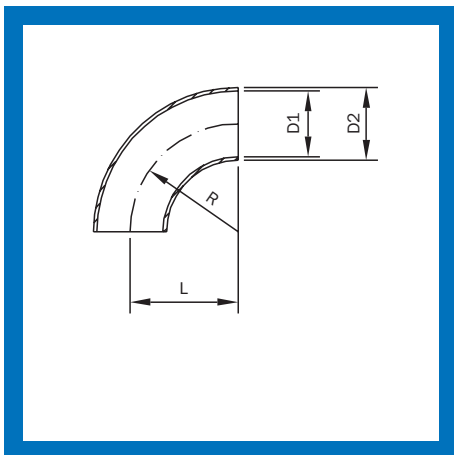


Fittings



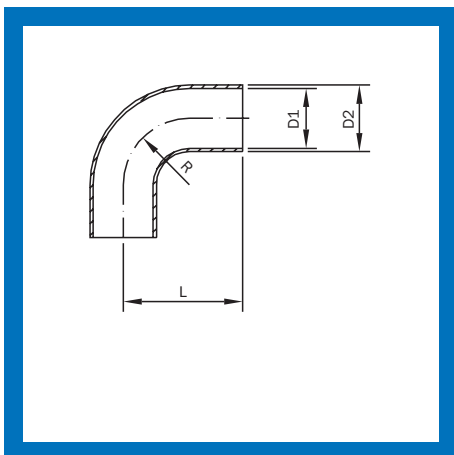
Bend 180°

| Size mm (inch) | D1 | D2 | L | L1 | Weight [kg] | AISI 304L matt | AISI 304L polish | AISI 316L matt | AISI 316L polish |
|-------------------|-----|-----|-----|-------|----------------|-------------------|---------------------|-------------------|---------------------|
| | | | | | | Article No. | Article No. | Article No. | Article No. |
| 10 | 9 | 12 | 52 | 26 | 0.01 | 20025000 01020 | 20025000 01010 | 20025000 01040 | 20025000 01030 |
| 10 | 10 | 13 | 52 | 26 | 0.01 | | | 20025000 01340 | 20025000 01330 |
| 15 | 15 | 18 | 70 | 35 | 0.03 | 20025000 01520 | 20025000 01510 | 20025000 01540 | 20025000 01530 |
| 15 | 16 | 19 | 70 | 35 | 0.03 | 20025000 01920 | 20025000 01910 | 20025000 01940 | 20025000 01930 |
| 20 | 19 | 22 | 80 | 40 | 0.06 | 20025000 02020 | 20025000 02010 | 20025000 02040 | 20025000 02030 |
| 20 | 20 | 23 | 80 | 40 | 0.06 | 20025000 02320 | 20025000 02310 | 20025000 02340 | 20025000 02330 |
| 25 | 25 | 28 | 100 | 50 | 0.10 | 20025000 02520 | 20025000 02510 | 20025000 02540 | 20025000 02530 |
| 25 | 26 | 29 | 100 | 50 | 0.10 | 20025000 02920 | 20025000 02910 | 20025000 02940 | 20025000 02930 |
| 32 | 31 | 34 | 110 | 55 | 0.16 | 20025000 03220 | 20025000 03210 | 20025000 03240 | 20025000 03230 |
| 32 | 32 | 35 | 110 | 55 | 0.16 | 20025000 03520 | 20025000 03510 | 20025000 03540 | 20025000 03530 |
| 40 | 37 | 40 | 120 | 60 | 0.23 | 20025000 04020 | 20025000 04010 | 20025000 04040 | 20025000 04030 |
| 40 | 38 | 41 | 120 | 60 | 0.23 | 20025000 04120 | 20025000 04110 | 20025000 04140 | 20025000 04130 |
| 50 | 49 | 52 | 140 | 70 | 0.24 | 20025000 05020 | 20025000 05010 | 20025000 05040 | 20025000 05030 |
| 50 | 50 | 53 | 140 | 70 | 0.24 | 20025000 05320 | 20025000 05310 | 20025000 05340 | 20025000 05330 |
| 65 | 66 | 70 | 160 | 80 | 0.97 | 20025000 06520 | 20025000 06510 | 20025000 06540 | 20025000 06530 |
| 80 | 81 | 85 | 180 | 90 | 1.13 | 20025000 08020 | 20025000 08010 | 20025000 08040 | 20025000 08030 |
| 100 | 100 | 104 | 200 | 100 | 2.34 | 20025000 10020 | 20025000 10010 | 20025000 10040 | 20025000 10030 |
| 125 | 125 | 129 | 375 | 187.5 | 3.80 | 20025000 12520 | 20025000 12510 | 20025000 12540 | 20025000 12530 |
| 150 | 150 | 154 | 450 | 225 | 5.44 | 20025000 15020 | 20025000 15010 | 20025000 15040 | 20025000 15030 |



Bend 90° short SMS/ISO

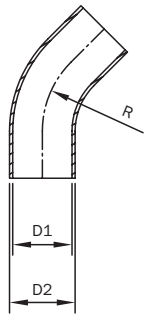
| Size mm DN | D1 | D2 | L | R | Weight [kg] | AISI 304L matt | AISI 304L satin | AISI 316L matt | AISI 316L satin |
|---------------|------|-------|-----|-----|----------------|-------------------|--------------------|-------------------|--------------------|
| | | | | | | Article No. | Article No. | Article No. | Article No. |
| 1" | 22.6 | 25 | 37 | 37 | 0.05 | 44000 | 44100 | 54000 | 54100 |
| 1 1/2" | 35.6 | 38 | 52 | 52 | 0.10 | 44001 | 44101 | 54001 | 54101 |
| 2" | 48.6 | 51 | 75 | 75 | 0.17 | 44002 | 44102 | 54002 | 54102 |
| 2 1/2" | 60.3 | 63.5 | 90 | 90 | 0.39 | 44003 | 44103 | 54003 | 54103 |
| 3" | 72.9 | 76.1 | 95 | 95 | 0.57 | 44004 | 44104 | 54004 | 54104 |
| 4" | 97.6 | 101.6 | 150 | 150 | 1.17 | 44005 | 44105 | 54005 | 54105 |
| | | | | | | | | | |
| | | | | | | | | | |
| | | | | | | | | | |
| | | | | | | | | | |
| | | | | | | | | | |



Bend 90° long SMS/ISO

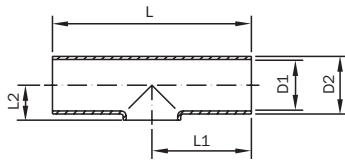
| Size mm DN | D1 | D2 | L | R | Weight [kg] | AISI 304L matt | AISI 304L satin | AISI 316L matt | AISI 316L satin |
|---------------|------|------|-----|------|----------------|-------------------|--------------------|-------------------|--------------------|
| | | | | | | Article No. | Article No. | Article No. | Article No. |
| 1" | 22.6 | 25 | 55 | 25 | 0.07 | 44006 | 44106 | 54006 | 54106 |
| 1 1/2" | 35.6 | 38 | 70 | 38 | 0.13 | 44007 | 44107 | 54007 | 54107 |
| 2" | 48.6 | 51 | 82 | 51 | 0.21 | 44008 | 44108 | 54008 | 54108 |
| 2 1/2" | 60.3 | 63.5 | 105 | 63.5 | 0.42 | 44009 | 41018 | 54009 | 51018 |
| 3" | 72.9 | 76.1 | 110 | 76.1 | 0.55 | 44010 | 41019 | 54010 | 51019 |
| | | | | | | | | | |
| | | | | | | | | | |
| | | | | | | | | | |
| | | | | | | | | | |
| | | | | | | | | | |

Fittings



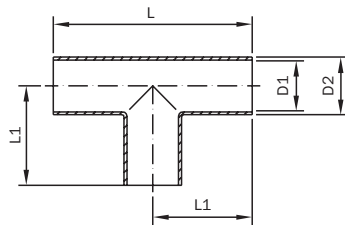
Bend 45° long SMS/ISO

| Size mm DN | D1 | D2 | R | Weight [kg] | AISI 304L matt Article No. | AISI 304L satin Article No. | AISI 316L matt Article No. | AISI 316L satin Article No. |
|------------|-------|-------|-----|-------------|----------------------------|-----------------------------|----------------------------|-----------------------------|
| 1" | 25 | 22.6 | 25 | 0.049 | 44011 | 44111 | 54011 | 54111 |
| 1 1/2" | 38 | 15.83 | 38 | 0.089 | 44012 | 44112 | 54012 | 54112 |
| 2" | 51 | 48.6 | 51 | 0.162 | 44013 | 44113 | 54013 | 54113 |
| 2 1/2" | 63.5 | 60.3 | 64 | 0.301 | 44014 | 44114 | 54014 | 54114 |
| 3" | 76.1 | 72.1 | 76 | 0.524 | 44015 | 44115 | 54015 | 54115 |
| 4" | 101.6 | 97.6 | 150 | 1.045 | 44016 | 44116 | 54016 | 54116 |



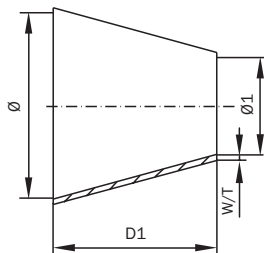
Tee short SMS/ISO

| Size mm DN | D1 | D2 | L | L1 | L2 | Weight [kg] | AISI 304L matt Article No. | AISI 304L satin Article No. | AISI 316L matt Article No. | AISI 316L satin Article No. |
|------------|------|-------|-----|-----|----|-------------|----------------------------|-----------------------------|----------------------------|-----------------------------|
| 1" | 22.6 | 25 | 110 | 55 | 14 | 0.07 | 44017 | 44117 | 54017 | 54117 |
| 1 1/4" | 29.6 | 32 | 128 | 64 | 18 | 0.13 | 44018 | 44118 | 54018 | 54118 |
| 1 1/2" | 35.6 | 38 | 140 | 70 | 22 | 0.15 | 44019 | 44119 | 54019 | 54119 |
| 2" | 48.6 | 51 | 164 | 82 | 29 | 0.24 | 44020 | 44120 | 54020 | 54120 |
| 2 1/2" | 60.3 | 63.5 | 210 | 105 | 35 | 0.46 | 44021 | 44121 | 54021 | 54121 |
| 3" | 72.8 | 76 | 220 | 110 | 41 | 0.72 | 44022 | 54122 | 54022 | 54122 |
| 4" | 97.6 | 101.6 | 300 | 150 | 55 | 1.52 | 44023 | 44123 | 54023 | 54123 |



Tee long SMS/ISO

| Size mm DN | D1 | D2 | L | L1 | Weight [kg] | AISI 304L matt Article No. | AISI 304L satin Article No. | AISI 316L matt Article No. | AISI 316L satin Article No. |
|------------|------|-------|-----|-----|-------------|----------------------------|-----------------------------|----------------------------|-----------------------------|
| 1" | 22.6 | 25 | 110 | 55 | 0.09 | 44024 | 44124 | 54024 | 54124 |
| 1 1/4" | 29.6 | 32 | 128 | 64 | 0.17 | 44025 | 44125 | 54025 | 54125 |
| 1 1/2" | 35.6 | 38 | 140 | 70 | 0.18 | 44026 | 44126 | 54026 | 54126 |
| 2" | 48.6 | 51 | 164 | 82 | 0.30 | 44027 | 44127 | 54027 | 54127 |
| 2 1/2" | 60.3 | 63.5 | 210 | 105 | 0.61 | 44028 | 44128 | 54028 | 54128 |
| 3" | 72.8 | 76 | 220 | 110 | 1.07 | 44029 | 44129 | 54029 | 54129 |
| 4" | 97.6 | 101.6 | 300 | 150 | 1.97 | 44030 | 44130 | 54030 | 54130 |



Reducer concentric SMS/ISO

| Size mm (inch) | Ø | Ø1 | W/T | D1 | Weight [kg] | AISI 304L matt Article No. | AISI 304L satin Article No. | AISI 316L matt Article No. | AISI 316L satin Article No. |
|----------------|-------|------|-----|-----|-------------|----------------------------|-----------------------------|----------------------------|-----------------------------|
| 38/25 | 38 | 25 | 1.2 | 44 | 0.05 | 44031 | 44131 | 54031 | 54131 |
| 51/25 | 51 | 25 | 1.2 | 86 | 0.10 | 44032 | 44132 | 54032 | 54132 |
| 51/38 | 51 | 38 | 1.2 | 42 | 0.07 | 44033 | 44133 | 54033 | 54133 |
| 63.5/38 | 63.5 | 38 | 1.2 | 82 | 0.12 | 44034 | 44134 | 54034 | 54134 |
| 63.5/51 | 63.5 | 51 | 1.2 | 40 | 0.08 | 44035 | 44135 | 54035 | 54135 |
| 76.1/38 | 76.1 | 38 | 1.2 | 71 | 0.20 | 44036 | 44136 | 54036 | 54136 |
| 76.1/51 | 76.1 | 51 | 1.6 | 79 | 0.21 | 44037 | 44137 | 54037 | 54137 |
| 76.1/63.5 | 76.1 | 63.5 | 2 | 39 | 0.11 | 44038 | 44138 | 54038 | 54138 |
| 101.6/51 | 101.6 | 51 | 2 | 95 | 0.35 | 44039 | 44139 | 54039 | 54139 |
| 101.6/63.5 | 101.6 | 63.5 | 2 | 120 | 0.40 | 44040 | 44140 | 54040 | 54140 |
| 101.6/76.1 | 101.6 | 76.1 | 2 | 81 | 0.35 | 44041 | 44141 | 54041 | 54141 |