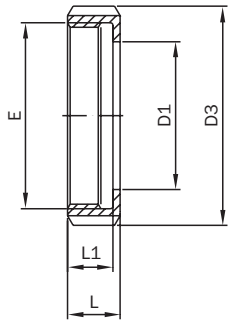
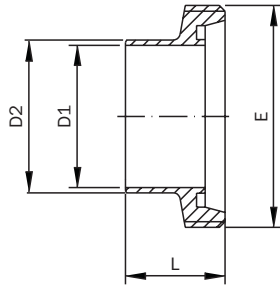


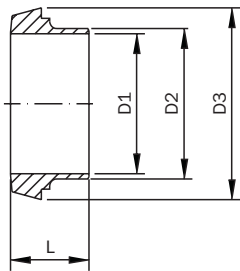
DIN11851 Union Metric



Nut							
Size mm DN	D1	D3	E	L	L1	Weight [kg]	AISI 304L satin Article No.
10	19	38	Rd 28 x 1/8"	18	15	0.07	56000
15	25	44	Rd 34 x 1/8"	18	15	0.08	56001
20	31	54	Rd 44 x 1/6"	20	17	0.13	56002
25	36	63	Rd 52 x 1/6"	21	18	0.18	56003
32	42.5	70	Rd 58 x 1/6"	21	18	0.22	56004
40	49	78	Rd 65 x 1/6"	21	18	0.25	56005
50	62	92	Rd 78 x 1/6"	22	19	0.33	56006
65	80	112	Rd 95 x 1/6"	25	21	0.55	56007
80	94	127	Rd 110 x 1/4"	29	25	0.80	56008
100	115	148	Rd 130 x 1/4"	31	26	1.08	56009
125	138	178	Rd 160 x 1/4"	35	30	1.45	56010
150	164	210	Rd 190 x 1/4"	40	34	1.88	56011
200	215	260	Rd 240 x 1/4"	44	38	3.97	56012

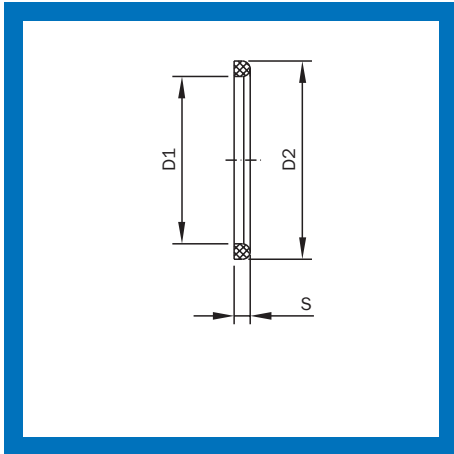


Male long							
Size mm DN	D1	D2	E	L	Weight [kg]	AISI 316L satin Article No.	
10	10	13	Rd 28 x 1/8"	21	0.04	56100	
15	16	19	Rd 34 x 1/8"	21	0.05	56101	
20	20	23	Rd 44 x 1/6"	24	0.09	56102	
25	26	29	Rd 52 x 1/6"	29	0.11	56103	
32	32	35	Rd 58 x 1/6"	32	0.13	56104	
40	38	41	Rd 65 x 1/6"	33	0.16	56105	
50	50	53	Rd 78 x 1/6"	35	0.22	56106	
65	66	70	Rd 95 x 1/6"	40	0.35	56107	
80	81	85	Rd 110 x 1/4"	45	0.52	56108	
100	100	104	Rd 130 x 1/4"	54	0.67	56109	
125	125	129	Rd 160 x 1/4"	46	0.99	56110	
150	150	154	Rd 190 x 1/4"	50	1.71	56111	



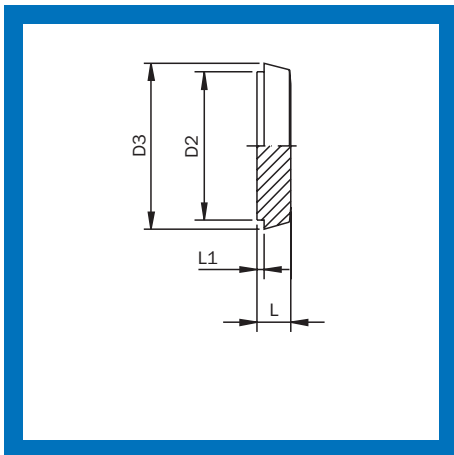
Liner long							
Size mm DN	D1	D2	D3	L	Weight [kg]	AISI 316L satin Article No.	
10	10	13	22.5	17	0.02	56200	
15	16	19	28.5	17	0.03	56201	
20	20	23	36.5	18	0.06	56202	
25	26	29	44	22	0.08	56203	
32	32	35	50	25	0.10	56204	
40	38	41	56	26	0.12	56205	
50	50	53	68.5	28	0.17	56206	
65	66	70	86	32	0.29	56207	
80	81	85	100	37	0.35	56208	
100	100	104	121	44	0.57	56209	
125	125	129	150	34	0.77	56210	
150	150	154	176	37	1.01	56211	

DIN11851 Union Metric



Seal Ring

Size mm DN	D1	D2	S	EPDM	NITRILE	VITON®
				Article No.	NBR	Article No.
10	12	20	4.5	56300	56400	56500
15	18	26	4.5	56301	56401	56501
20	23	33	4.5	56302	56402	56502
25	30	40	5	56303	56403	56503
32	36	46	5	56304	56404	56504
40	42	52	5	56305	56405	56505
50	54	64	5	56306	56406	56506
65	71	81	5	56307	56407	56507
80	85	95	5	56308	56408	56508
100	104	114	6	56309	56409	56509
125	130	142	7	56310	56410	56510
150	155	167	7	56311	56411	56511
200	204	216	7	56312	56412	56512



Blank Liner

Size mm DN	D2	D3	L	L1	Weight [kg]	AISI 316L satin
						Article No.
10	18	22.5	9	3	0.02	56600
15	24	28.5	9	3	0.04	56601
20	30	36.5	11	3	0.07	56602
25	35	44	13	3	0.13	56603
32	41	50	13	3	0.17	56604
40	48	56	13	3	0.22	56605
50	61	68.5	14	3	0.35	56606
65	79	86	16	4	0.67	56607
80	93	100	16	4	0.92	56612
100	114	121	20	5	1.34	56609
125	137	150	22	5	1.68	56610
150	163	176	24	6	4.30	56611