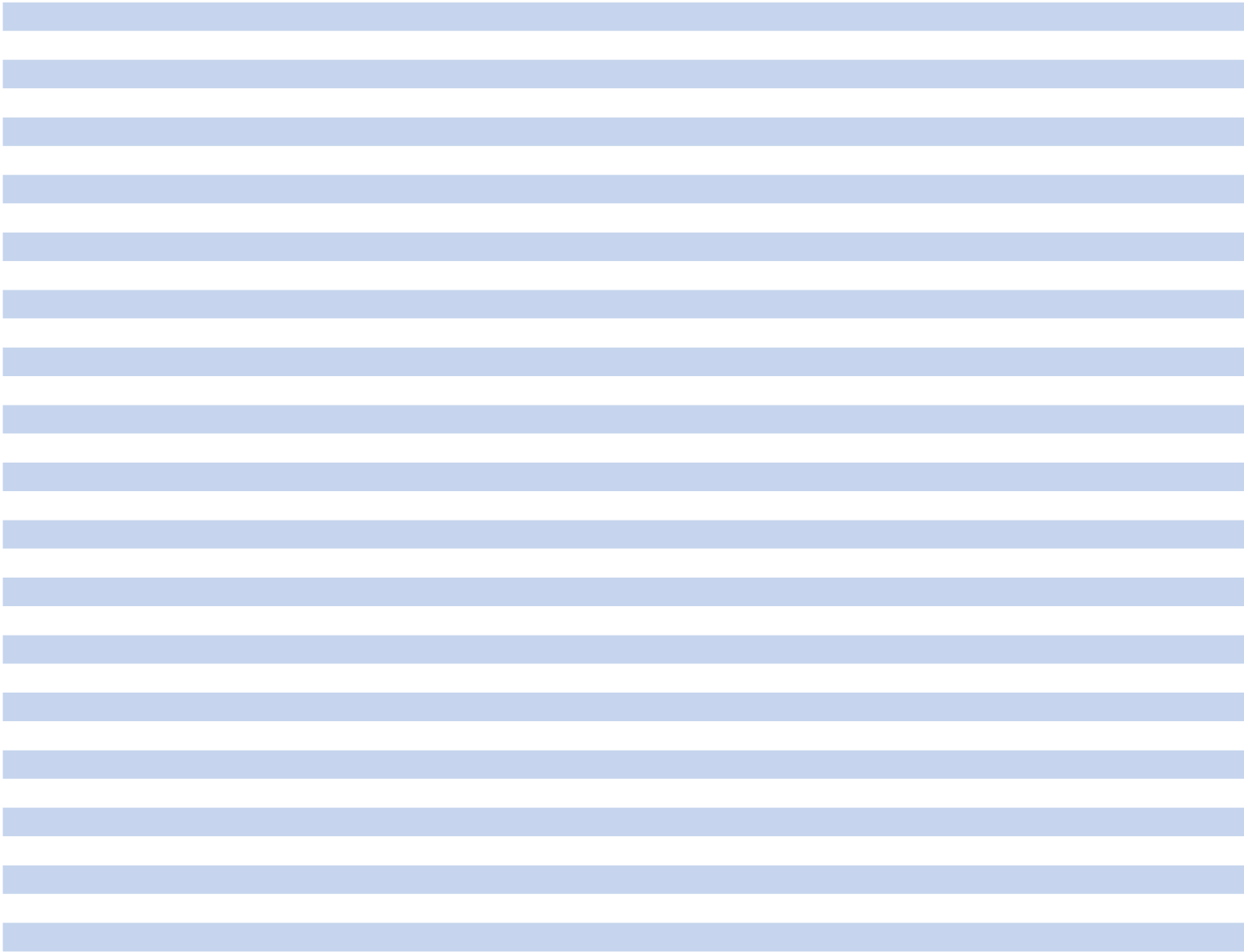


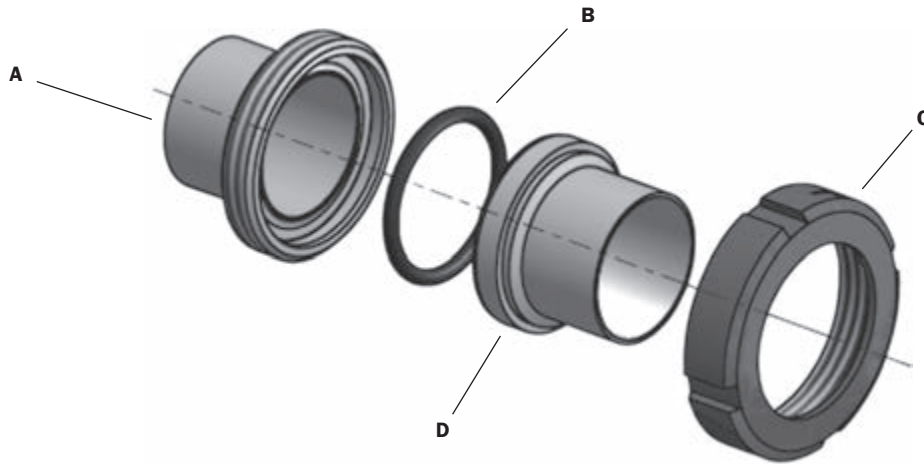
Table of Contents

	Page
Explosion View	3
Aseptic DIN11864-1 Form A (series C) Imperial Union Connection	4
Aseptic DIN11864-2 Form A (series C) Imperial Flanged Connection	6
Aseptic DIN11864-3 Form A (series C) Imperial Clamp Connection	7
Aseptic DIN11864-1 Form A (series A) DIN Union Connection	8
Aseptic DIN11864-2 Form A (series A) DIN Flanged Connection	10
Aseptic DIN11864-3 Form A (series A) DIN Clamp Connection	11
Aseptic DIN11864-1 Form A (series B) ISO Union Connection	12
Aseptic DIN11864-2 Form A (series B) ISO Flanged Connection	14
Aseptic DIN11864-3 Form A (series B) ISO Clamp Connection	15
Hygienic DIN11853-1 (series C) Imperial Union Connection	16
Hygienic DIN11853-2 (series C) Imperial Flanged Connection	18
Hygienic DIN11853-3 (series C) Imperial Clamp Connection	20
Hygienic DIN11853-1 (series A) DIN Union Connection	22
Hygienic DIN11853-2 (series A) DIN Flanged Connection	24
Hygienic DIN11853-3 (series A) DIN Clamp Connection	26
Hygienic DIN11853-1 (series B) ISO Union Connection	28
Hygienic DIN11853-2 (series B) ISO Flanged Connection	30
Hygienic DIN11853-2 (series B) ISO Clamp Connection	32
Technical Information	34



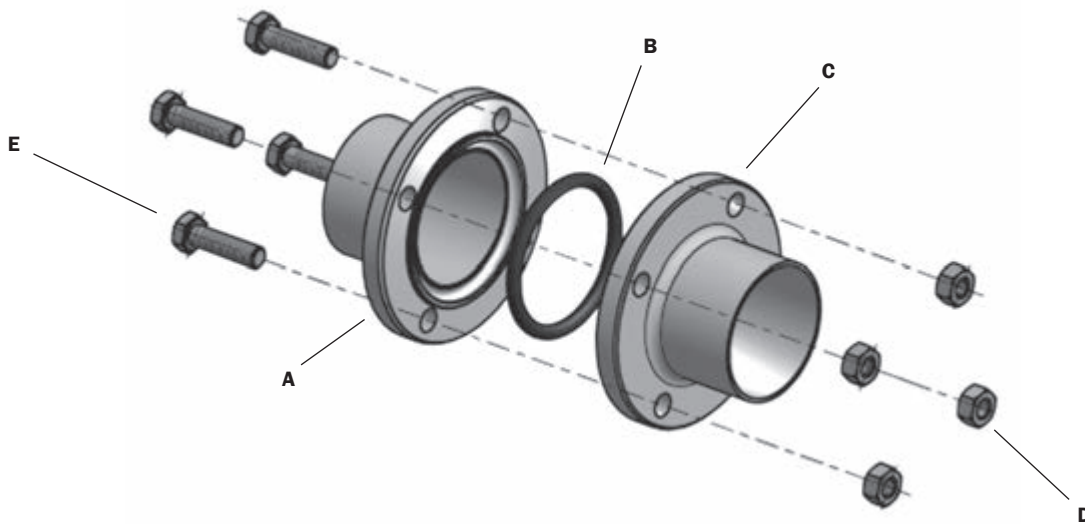
Explosion View

Unions



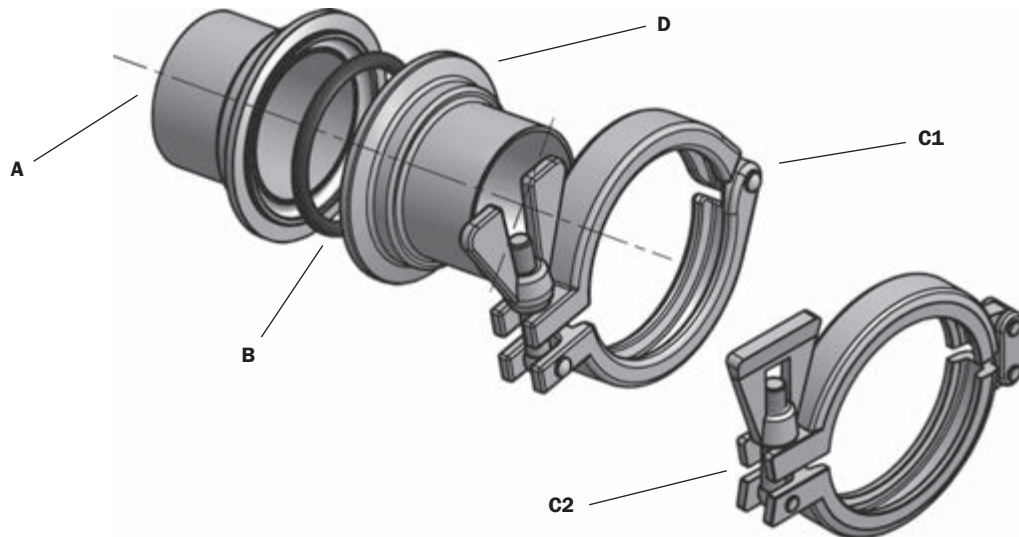
- A Male
- B O-Ring
- C Nut
- D Liner

Flange Connections



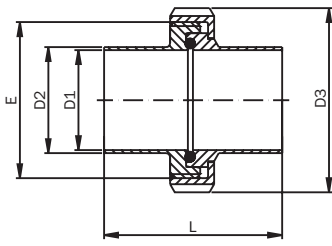
- A Nut flange
- B O-Ring
- C Liner flange
- D Hexagon nut
- E Hexagon screw

Clamp Connections



- A Clamp nut
- B O-Ring
- Heavy duty clamp
- C1 Single pin
- C2 Double pin
- D Clamp liner

Aseptic DIN11864-1 Form A (series C) Imperial Union Connection



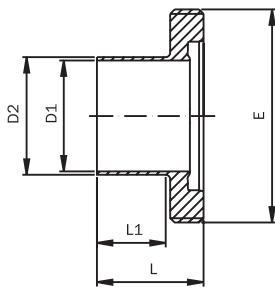
Is delivered in parts!

Imperial Union

Size mm DN	D1	D2	D3	E	L	Weight [kg]	AISI 316L Article No.
1/2"	9.4	12.7	38	Rd 28 x 1/8"	76	0.28	112L 00 89 2/1
3/4"	15.75	19.05	44	Rd 34 x 1/8"	76	0.36	112L 00 90 2/1
1"	22.1	25.4	63	Rd 52 x 1/6"	77	0.49	112L 00 91 2/1
1 1/2"	34.8	38.1	78	Rd 65 x 1/6"	88	0.63	112L 00 92 2/1
2"	47.5	50.8	92	Rd 78 x 1/6"	89	0.82	112L 00 93 2/1
2 1/2"	60.2	63.5	112	Rd 95 x 1/6"	115	1.37	112L 00 94 2/1
3"	72.9	76.2	127	Rd 110 x 1/4"	117	1.98	112L 00 95 2/1
4"	97.38	101.6	148	Rd 130 x 1/4"	119	2.52	112L 00 96 2/1

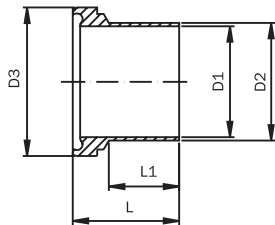
Imperial Male

Size mm DN	D1	D2	E	L	L1	Weight [kg]	AISI 316L Article No.
1/2"	9.4	12.7	Rd 28 x 1/8"	41	27	0.05	1121 00 89 2
3/4"	15.75	19.05	Rd 34 x 1/8"	41	27	0.07	1121 00 90 2
1"	22.1	25.4	Rd 52 x 1/6"	43	26	0.17	1121 00 91 2
1 1/2"	34.8	38.1	Rd 65 x 1/6"	48.5	30	0.23	1121 00 92 2
2"	47.5	50.8	Rd 78 x 1/6"	48.5	30	0.29	1121 00 93 2
2 1/2"	60.2	63.5	Rd 95 x 1/6"	60	40	0.46	1121 00 94 2
3"	72.9	76.2	Rd 110 x 1/4"	64	40	0.73	1121 00 95 2
4"	97.38	101.6	Rd 130 x 1/4"	64	40	0.82	1121 00 96 2



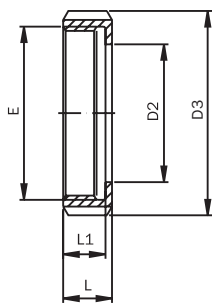
Imperial Liner

Size mm DN	D1	D2	D3	L	L1	Weight [kg]	AISI 316L Article No.
1/2"	9.4	12.7	21.9	39	27	0.10	1123 00 89 2
3/4"	15.75	19.05	27.9	39	27	0.11	1123 00 90 2
1"	22.1	25.4	42.9	40	26	0.10	1123 00 91 2
1 1/2"	34.8	38.1	54.9	46.5	30	0.15	1123 00 92 2
2"	47.5	50.8	66.9	47.5	30	0.21	1123 00 93 2
2 1/2"	60.2	63.5	84.9	63	40	0.36	1123 00 94 2
3"	72.9	76.2	98.9	61	40	0.45	1123 00 95 2
4"	97.38	101.6	118.9	65	40	0.62	1123 00 96 2

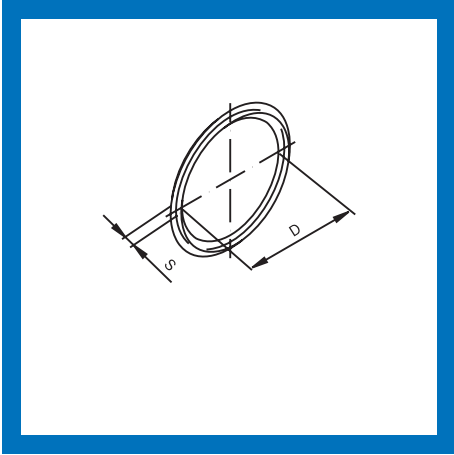


Imperial Nut

Size mm DN	D2	D3	E	L	L1	Weight [kg]	AISI 304 Article No.
1/2"	19	38	Rd 28 x 1/8"	18	15	0.07	11003 000 010 10
3/4"	25	44	Rd 34 x 1/8"	18	15	0.08	11003 000 015 10
1"	36	63	Rd 52 x 1/6"	21	18	0.18	11003 000 025 10
1 1/2"	49	78	Rd 65 x 1/6"	21	18	0.25	11003 000 040 10
2"	62	92	Rd 78 x 1/6"	22	19	0.33	11003 000 050 10
2 1/2"	80	112	Rd 95 x 1/6"	25	21	0.55	11003 000 065 10
3"	94	127	Rd 110 x 1/4"	29	25	0.80	11003 000 080 10
4"	115	148	Rd 130 x 1/4"	31	26	1.08	11003 000 100 10



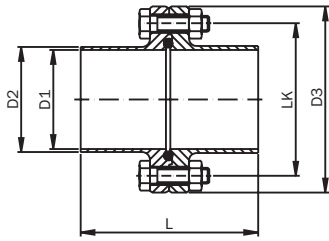
Aseptic DIN11864-1 Form A (series C) Imperial Union Connection



O-Ring Seal					
Size mm DN	D	S	EPDM	FKM	PTFE
			Article No.	Article No.	Article No.
1/2"	12	3.5	1129 00 40 1	1129 00 40 2	1129 00 40 4
3/4"	18	3.5	1129 00 41 1	1129 00 41 2	1129 00 41 4
1"	24	3.5	1129 00 91 1	1129 00 91 2	1129 00 91 4
1 1/2"	37	5	1129 00 92 1	1129 00 92 2	1129 00 92 4
2"	50	5	1129 00 93 1	1129 00 93 2	1129 00 93 4
2 1/2"	62	5	1129 00 94 1	1129 00 94 2	1129 00 94 4
3"	75	5	1129 00 95 1	1129 00 95 2	1129 00 95 4
4"	100	5	1129 00 96 1	1129 00 96 2	1129 00 96 4

WE CAN OFFER A FULL RANGE OF UNION PARTS VIA AWH - PLEASE CONTACT OUR SALES DEPARTMENT ON (0044) 1952 583999 or Email sales@neumo.co.uk

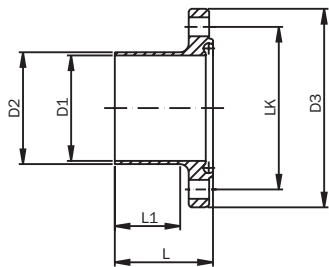
Aseptic DIN11864-2 Form A (series C) Imperial Flanged Connection



Is delivered in parts!

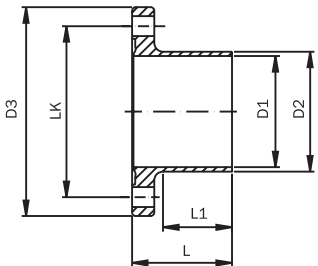
Imperial Flange

Size mm DN	D1	D2	D3	LK	L	Weight [kg]	AISI 316L Article No.
1/2"	9.4	12.7	54	37 4/M8 x 30	80	0.33	113L 00 89 2/1
3/4"	15.75	19.05	59	42 4/M8 x 30	80	0.39	113L 00 90 2/1
1"	22.1	25.4	66	49 4/M8 x 30	80	0.48	113L 00 91 2/1
1 1/2"	34.8	38.1	79	62 4/M8 x 30	90	0.67	113L 00 92 2/1
2"	47.5	50.8	92	75 4/M8 x 30	90	0.85	113L 00 93 2/1
2 1/2"	60.2	63.5	107	89 8/M8 x 30	108	1.08	113L 00 94 2/1
3"	72.9	76.2	125	104 8/M10 x 30	112	1.62	113L 00 95 2/1
4"	97.38	101.6	157	135 8/M10 x 35	116	2.85	113L 00 96 2/1



Imperial Nut

Size mm DN	D1	D2	D3	LK	L	L1	Weight [kg]	AISI 316L Article No.
1/2"	9.4	12.7	54	37 4 x Ø 9	41.5	26	0.15	1131 00 89 2
3/4"	15.75	19.05	59	42 4 x Ø 9	41.5	26	0.21	1131 00 90 2
1"	22.1	25.4	66	49 4 x Ø 9	41.5	26	0.24	1131 00 91 2
1 1/2"	34.8	38.1	79	62 4 x Ø 9	46.5	31	0.34	1131 00 92 2
2"	47.5	50.8	92	75 4 x Ø 9	46.5	31	0.44	1131 00 93 2
2 1/2"	60.2	63.5	107	89 8 x Ø 9	55.5	42	0.56	1131 00 94 2
3"	72.9	76.2	125	104 8 x Ø 11	57.5	42	0.83	1131 00 95 2
4"	97.38	101.6	157	135 8 x Ø 11	59.5	42	1.45	1131 00 96 2

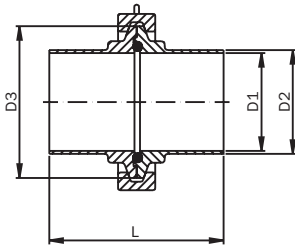


Imperial Liner

Size mm DN	D1	D2	D3	LK	L	L1	Weight [kg]	AISI 316L Article No.
1/2"	9.4	12.7	54	37 4 x Ø 9	40	26	0.16	1133 00 89 2
3/4"	15.75	19.05	59	42 4 x Ø 9	40	26	0.20	1133 00 90 2
1"	22.1	25.4	66	49 4 x Ø 9	40	26	0.24	1133 00 91 2
1 1/2"	34.8	38.1	79	62 4 x Ø 9	45	31	0.33	1133 00 92 2
2"	47.5	50.8	92	75 4 x Ø 9	45	31	0.41	1133 00 93 2
2 1/2"	60.2	63.5	107	89 8 x Ø 9	54	42	0.53	1133 00 94 2
3"	72.9	76.2	125	104 8 x Ø 11	56	42	0.80	1133 00 95 2
4"	97.38	101.6	157	135 8 x Ø 11	58	42	1.41	1133 00 96 2

WE CAN OFFER A FULL RANGE OF UNION PARTS VIA AWH - PLEASE CONTACT OUR SALES DEPARTMENT ON (0044) 1952 583999 or Email sales@neumo.co.uk

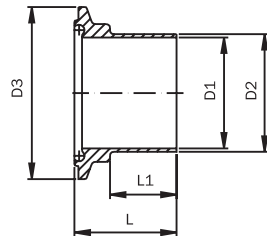
Aseptic DIN11864-3 Form A (series C) Imperial Clamp Connection



Is delivered in parts!

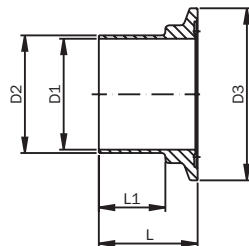
Imperial Clamp

Size mm DN	D1	D2	D3	L	Weight [kg]	AISI 316L Article No.
1/2"	9.4	12.7	34	76	0.18	119L 00 89 2/1
3/4"	15.75	19.05	34	76	0.18	119L 00 90 2/1
1"	22.1	25.4	50.5	77	0.48	119L 00 91 2/1
1 1/2"	34.8	38.1	64	88	0.47	119L 00 92 2/1
2"	47.5	50.8	77.5	89	0.46	119L 00 93 2/1
2 1/2"	60.2	63.5	91	115	0.57	119L 00 94 2/1
3"	72.9	76.2	106	117	0.74	119L 00 95 2/1
4"	97.38	101.6	130	119	0.90	119L 00 96 2/1



Imperial Male

Size mm DN	D1	D2	D3	L	L1	Weight [kg]	AISI 316L Article No.
1/2"	9.4	12.7	34	39.5	26	0.05	1193 00 89 2
3/4"	15.75	19.05	34	39.5	26	0.05	1193 00 90 2
1"	22.1	25.4	50.5	40	28	0.09	1193 00 91 2
1 1/2"	34.8	38.1	64	45.5	30	0.14	1193 00 92 2
2"	47.5	50.8	77.5	46	30	0.17	1193 00 93 2
2 1/2"	60.2	63.5	91	59	40	0.24	1193 00 94 2
3"	72.9	76.2	106	60	40	0.30	1193 00 95 2
4"	97.38	101.6	130	61	40	0.42	1193 00 96 2

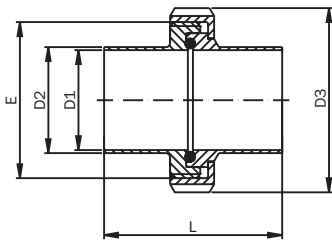


Imperial Liner

Size mm DN	D1	D2	D3	L	L1	Weight [kg]	AISI 316L Article No.
1/2"	9.4	12.7	34	38	26	0.04	1191 00 89 2
3/4"	15.75	19.05	34	38	26	0.04	1191 00 90 2
1"	22.1	25.4	50.5	38.5	28	0.08	1191 00 91 2
1 1/2"	34.8	38.1	64	44	30	0.12	1191 00 92 2
2"	47.5	50.8	77.5	44.5	30	0.17	1191 00 93 2
2 1/2"	60.2	63.5	91	57.5	40	0.24	1191 00 94 2
3"	72.9	76.2	106	58.5	40	0.30	1191 00 95 2
4"	97.38	101.6	130	59.5	40	0.44	1191 00 96 2

WE CAN OFFER A FULL RANGE OF UNION PARTS VIA AWH - PLEASE CONTACT OUR SALES DEPARTMENT ON (0044) 1952 583999 or Email sales@neumo.co.uk

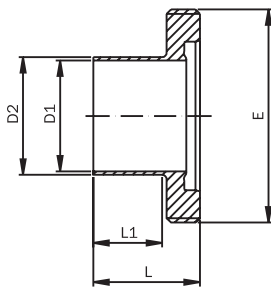
Aseptic DIN11864-1 Form A (series A) DIN Union Connection



Is delivered in parts!

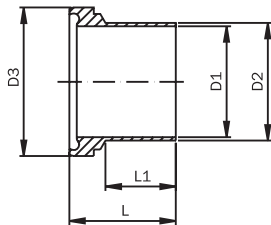
Union DIN

Size mm DN	D1	D2	D3	E	L	Weight [kg]	AISI 316L Article No.
10	10	13	38	Rd 28 x 1/8"	76	0.15	112L 00 40 2/1
15	16	19	44	Rd 34 x 1/8"	76	0.19	112L 00 41 2/1
20	20	23	54	Rd 44 x 1/6"	76	0.31	112L 00 42 2/1
25	26	29	63	Rd 52 x 1/6"	77	0.43	112L 00 43 2/1
32	32	35	70	Rd 58 x 1/6"	88	0.53	112L 00 44 2/1
40	38	41	78	Rd 65 x 1/6"	88	0.61	112L 00 45 2/1
50	50	53	92	Rd 78 x 1/6"	89	0.80	112L 00 46 2/1
65	66	70	112	Rd 95 x 1/6"	113	1.35	112L 00 09 2/1
80	81	85	127	Rd 110 x 1/4"	117	1.89	112L 00 10 2/1
100	100	104	148	Rd 130 x 1/4"	120	2.46	112L 00 12 2/1



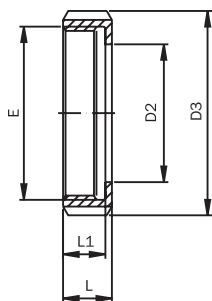
Male DIN

Size mm DN	D1	D2	E	L	L1	Weight [kg]	AISI 316L Article No.
10	10	13	Rd 28 x 1/8"	41	27	0.05	1121 00 40 2
15	16	19	Rd 34 x 1/8"	41	27	0.07	1121 00 41 2
20	20	23	Rd 44 x 1/6"	43	26	0.13	1121 00 42 2
25	26	29	Rd 52 x 1/6"	43	26	0.16	1121 00 43 2
32	32	35	Rd 58 x 1/6"	48	32	0.18	1121 00 44 2
40	38	41	Rd 65 x 1/6"	48	31	0.22	1121 00 45 2
50	50	53	Rd 78 x 1/6"	48	30	0.28	1121 00 46 2
65	66	70	Rd 95 x 1/6"	60	40	0.45	1121 00 09 2
80	81	85	Rd 110 x 1/4"	64	40	0.69	1121 00 10 2
100	100	104	Rd 130 x 1/4"	64	40	0.80	1121 00 12 2



Liner DIN

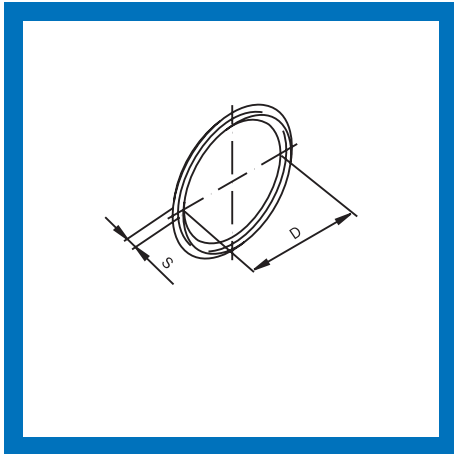
Size mm DN	D1	D2	D3	L	L1	Weight [kg]	AISI 316L Article No.
10	10	13	21.9	39	27	0.03	1123 00 40 2
15	16	19	27.9	39	27	0.04	1123 00 41 2
20	20	23	35.9	38	26	0.06	1123 00 42 2
25	26	29	42.9	40	26	0.09	1123 00 43 2
32	32	35	48.9	47	32	0.12	1123 00 44 2
40	38	41	54.9	47	31	0.14	1123 00 45 2
50	50	53	66.9	48	30	0.19	1123 00 46 2
65	66	70	84.9	61	40	0.35	1123 00 09 2
80	81	85	98.9	61	40	0.40	1123 00 10 2
100	100	104	118.9	66	40	0.58	1123 00 12 2



Nut DIN

Size mm DN	D2	D3	E	L	L1	Weight [kg]	AISI 304 Article No.
10	19	38	Rd 28 x 1/8"	18	15	0.07	11003 000 010 10
15	25	44	Rd 34 x 1/8"	18	15	0.08	11003 000 015 10
20	31	54	Rd 44 x 1/6"	20	17	0.13	11003 000 020 10
25	36	63	Rd 52 x 1/6"	21	18	0.18	11003 000 025 10
32	42	70	Rd 58 x 1/6"	21	18	0.22	11003 000 032 10
40	49	78	Rd 65 x 1/6"	21	18	0.25	11003 000 040 10
50	62	92	Rd 78 x 1/6"	22	19	0.33	11003 000 050 10
65	80	112	Rd 95 x 1/6"	25	21	0.55	11003 000 065 10
80	94	127	Rd 110 x 1/4"	29	25	0.80	11003 000 080 10
100	115	148	Rd 130 x 1/4"	31	26	1.08	11003 000 100 10

Aseptic DIN11864-1 Form A (series A) DIN Union Connection

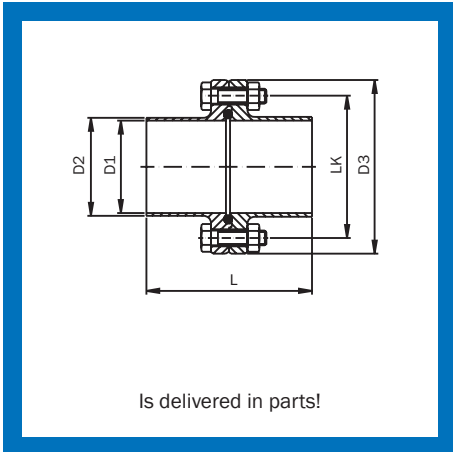


O-Ring Seal DIN

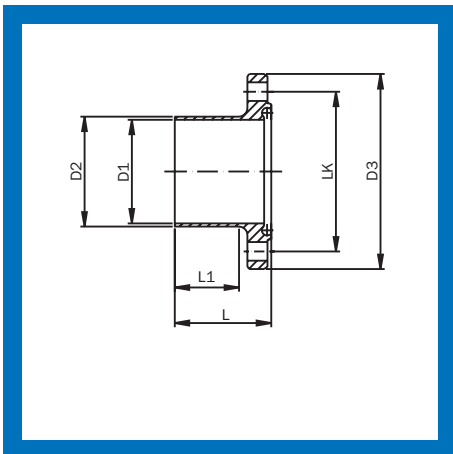
Size mm DN	D	S	EPDM Article No.	FKM Article No.	PTFE Article No.
10	12	3.5	1129 00 40 1	1129 00 40 2	1129 00 40 4
15	18	3.5	1129 00 41 1	1129 00 41 2	1129 00 41 4
20	22	3.5	1129 00 42 1	1129 00 42 2	1129 00 42 4
25	28	3.5	1129 00 43 1	1129 00 43 2	1129 00 43 4
32	34	5	1129 00 44 1	1129 00 44 2	1129 00 44 4
40	40	5	1129 00 45 1	1129 00 45 2	1129 00 45 4
50	52	5	1129 00 46 1	1129 00 46 2	1129 00 46 4
65	68	5	1129 00 09 1	1129 00 09 2	1129 00 09 4
80	83	5	1129 00 10 1	1129 00 10 2	1129 00 10 4
100	102	5	1129 00 12 1	1129 00 12 2	1129 00 12 4
125	127	5	1129 00 13 1	1129 00 13 2	1129 00 13 4
150	152	5	1129 00 15 1	1129 00 15 2	1129 00 15 4

**WE CAN OFFER A FULL RANGE OF UNION PARTS VIA AWH - PLEASE CONTACT OUR SALES
DEPARTMENT ON (0044) 1952 583999 or Email sales@neumo.co.uk**

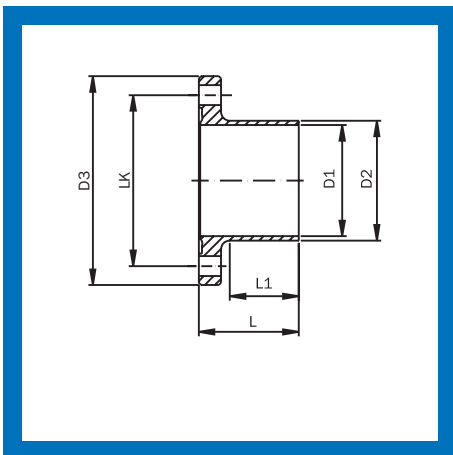
Aseptic DIN11864-2 Form A (series A) DIN Flanged Connection



Flange DIN									
Size mm DN	D1	D2	D3	LK	L	Weight [kg]	AISI 316L		
Article No.									
10	10	13	54	37	4/M8 x 30	80	0.33	113L 00 40 2/1	
15	16	19	59	42	4/M8 x 30	80	0.39	113L 00 41 2/1	
20	20	23	64	47	4/M8 x 30	80	0.45	113L 00 42 2/1	
25	26	29	70	53	4/M8 x 30	80	0.53	113L 00 43 2/1	
32	32	35	76	59	4/M8 x 30	90	0.62	113L 00 44 2/1	
40	38	41	82	65	4/M8 x 30	90	0.70	113L 00 45 2/1	
50	50	53	94	77	4/M8 x 30	90	0.86	113L 00 46 2/1	
65	66	70	113	95	8/M8 x 30	108	1.24	113L 00 09 2/1	
80	81	85	133	112	8/M10 x 35	116	1.86	113L 00 10 2/1	
100	100	104	159	137	8/M10 x 40	116	2.88	113L 00 12 2/1	
125	125	129	183	161	8/M10 x 40	120	3.46	113L 00 13 2/1	
150	150	154	213	188	8/M12 x 50	120	4.82	113L 00 15 2/1	



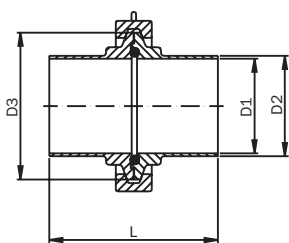
Nut DIN									
Size mm DN	D1	D2	D3	LK	L	L1	Weight [kg]	AISI 316L	
Article No.									
10	10	13	54	37	4 x Ø 9	41.5	26	0.16	1131 00 40 2
15	16	19	59	42	4 x Ø 9	41.5	26	0.20	1131 00 41 2
20	20	23	64	47	4 x Ø 9	41.5	26	0.23	1131 00 42 2
25	26	29	70	53	4 x Ø 9	41.5	26	0.27	1131 00 43 2
32	32	35	76	59	4 x Ø 9	46.5	31	0.32	1131 00 44 2
40	38	41	82	65	4 x Ø 9	46.5	31	0.36	1131 00 45 2
50	50	53	94	77	4 x Ø 9	46.5	31	0.44	1131 00 46 2
65	66	70	113	95	8 x Ø 9	55.5	42	0.63	1131 00 09 2
80	81	85	133	112	8 x Ø 11	59.5	42	0.94	1131 00 10 2
100	100	104	159	137	8 x Ø 11	59.5	42	1.46	1131 00 12 2
125	125	129	183	161	8 x Ø 11	61.5	42	1.75	1131 00 13 2
150	150	154	213	188	8 x Ø 14	61.5	40	2.44	1131 00 15 2



Liner DIN									
Size mm DN	D1	D2	D3	LK	L	L1	Weight [kg]	AISI 316L	
Article No.									
10	10	13	54	37	4 x Ø 9	40	26	0.16	1133 00 40 2
15	16	19	59	42	4 x Ø 9	40	26	0.19	1133 00 41 2
20	20	23	64	47	4 x Ø 9	40	26	0.23	1133 00 42 2
25	26	29	70	53	4 x Ø 9	40	26	0.26	1133 00 43 2
32	32	35	76	59	4 x Ø 9	45	31	0.30	1133 00 44 2
40	38	41	82	65	4 x Ø 9	45	31	0.34	1133 00 45 2
50	50	53	94	77	4 x Ø 9	45	31	0.42	1133 00 46 2
65	66	70	113	95	8 x Ø 9	54	42	0.60	1133 00 09 2
80	81	85	133	112	8 x Ø 11	58	42	0.91	1133 00 10 2
100	100	104	159	137	8 x Ø 11	58	42	1.42	1133 00 12 2
125	125	129	183	161	8 x Ø 11	60	42	1.71	1133 00 13 2
150	150	154	213	188	8 x Ø 14	60	40	2.38	1133 00 15 2

WE CAN OFFER A FULL RANGE OF UNION PARTS VIA AWH - PLEASE CONTACT OUR SALES DEPARTMENT ON (0044) 1952 583999 or Email sales@neumo.co.uk

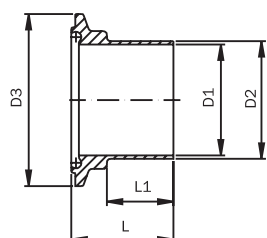
Aseptic DIN11864-3 Form A (series A) DIN Clamp Connection



Is delivered in parts!

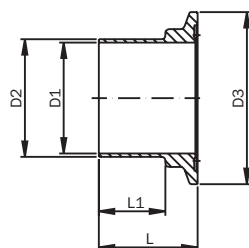
Clamp DIN

Size mm DN	D1	D2	D3	L	Weight [kg]	AISI 316L Article No.
10	10	13	34	76	0.18	119L 00 40 2/1
15	16	19	34	76	0.18	119L 00 41 2/1
20	20	23	50.5	76	0.48	119L 00 42 2/1
25	26	29	50.5	77	0.47	119L 00 43 2/1
32	32	35	50.5	88	0.46	119L 00 44 2/1
40	38	41	64	88	0.57	119L 00 45 2/1
50	50	53	77.5	89	0.74	119L 00 46 2/1
65	66	70	91	113	0.99	119L 00 09 2/1
80	81	85	106	117	1.14	119L 00 10 2/1
100	100	104	130	120	1.36	119L 00 12 2/1



Male DIN

Size mm DN	D1	D2	D3	L	L1	Weight [kg]	AISI 316L Article No.
10	10	13	34	39.5	26	0.04	1193 00 40 2
15	16	19	34	39.5	26	0.04	1193 00 41 2
20	20	23	50.5	39.5	26	0.09	1193 00 42 2
25	26	29	50.5	40	28	0.09	1193 00 43 2
32	32	35	50.5	45.5	30	0.09	1193 00 44 2
40	38	41	64	45.5	30	0.13	1193 00 45 2
50	50	53	77.5	46	30	0.17	1193 00 46 2
65	66	70	91	58	40	0.26	1193 00 09 2
80	81	85	106	60	40	0.30	1193 00 10 2
100	100	104	130	61.5	40	0.40	1193 00 12 2

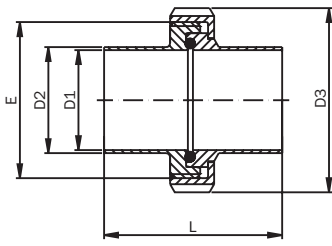


Liner DIN

Size mm DN	D1	D2	D3	L	L1	Weight [kg]	AISI 316L Article No.
10	10	13	34	38	26	0.04	1191 00 40 2
15	16	19	34	38	26	0.04	1191 00 41 2
20	20	23	50.5	38	26	0.08	1191 00 42 2
25	26	29	50.5	38.5	28	0.07	1191 00 43 2
32	32	35	50.5	44	30	0.06	1191 00 44 2
40	38	41	64	44	30	0.10	1191 00 45 2
50	50	53	77.5	44.5	30	0.14	1191 00 46 2
65	66	70	91	56.5	40	0.21	1191 00 09 2
80	81	85	106	58.5	40	0.25	1191 00 10 2
100	100	104	130	60	40	0.35	1191 00 12 2

WE CAN OFFER A FULL RANGE OF UNION PARTS VIA AWH - PLEASE CONTACT OUR SALES DEPARTMENT ON (0044) 1952 583999 or Email sales@neumo.co.uk

Aseptic DIN11864-1 Form A (series B) ISO Union Connection



Is delivered in parts!

Union ISO

Size mm DN	D1	D2	D3	E	L	Weight [kg]	AISI 316L Article No.
8	10.3	13.5	38	Rd 28 x 1/8"	76	0.15	112L 00 75 2/1
10	14	17.2	44	Rd 34 x 1/8"	76	0.19	112L 00 76 2/1
15	18.1	21.3	54	Rd 44 x 1/6"	78	0.27	112L 00 77 2/1
20	23.7	26.9	63	Rd 52 x 1/6"	78	0.39	112L 00 78 2/1
25	29.7	33.7	70	Rd 58 x 1/6"	88	0.52	112L 00 79 2/1
32	38.4	42.4	78	Rd 65 x 1/6"	88	0.61	112L 00 80 2/1
40	44.3	48.3	92	Rd 78 x 1/6"	90	0.81	112L 00 81 2/1
50	56.3	60.3	112	Rd 95 x 1/6"	114	1.23	112L 00 82 2/1
65	72.1	76.1	127	Rd 110 x 1/4"	117	1.86	112L 00 83 2/1
80	84.3	88.9	148	Rd 130 x 1/4"	122	2.62	112L 00 84 2/1

Male ISO

Size mm DN	D1	D2	E	L	L1	Weight [kg]	AISI 316L Article No.
8	10.3	13.5	Rd 28 x 1/8"	41	27	0.05	1121 00 75 2
10	14	17.2	Rd 34 x 1/8"	41	27	0.07	1121 00 76 2
15	18.1	21.3	Rd 44 x 1/6"	43	27	0.13	1121 00 77 2
20	23.7	26.9	Rd 52 x 1/6"	43	27	0.16	1121 00 78 2
25	29.7	33.7	Rd 58 x 1/6"	48	32	0.20	1121 00 79 2
32	38.4	42.4	Rd 65 x 1/6"	48	32	0.23	1121 00 80 2
40	44.3	48.3	Rd 78 x 1/6"	49	31	0.32	1121 00 81 2
50	56.3	60.3	Rd 95 x 1/6"	60	40	0.49	1121 00 82 2
65	72.1	76.1	Rd 110 x 1/4"	64	40	0.80	1121 00 83 2
80	84.3	88.9	Rd 130 x 1/4"	64	40	0.97	1121 00 84 2

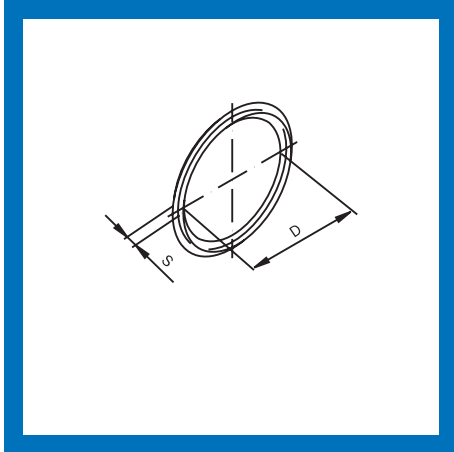
Liner ISO

Size mm DN	D1	D2	D3	L	L1	Weight [kg]	AISI 316L Article No.
8	10.3	13.5	21.9	39	27	0.03	1123 00 75 2
10	14	17.2	27.9	39	27	0.04	1123 00 76 2
15	18.1	21.3	35.9	40	27	0.06	1123 00 77 2
20	23.7	26.9	42.9	41	27	0.10	1123 00 78 2
25	29.7	33.7	48.9	47	32	0.14	1123 00 79 2
32	38.4	42.4	54.9	47	32	0.16	1123 00 80 2
40	44.3	48.3	66.9	48	31	0.24	1123 00 81 2
50	56.3	60.3	84.9	62	40	0.41	1123 00 82 2
65	72.1	76.1	98.9	61	40	0.51	1123 00 83 2
80	84.3	88.9	118.9	68	40	0.85	1123 00 84 2

Nut ISO

Size mm DN	D2	D3	E	L	L1	Weight [kg]	AISI 304 Article No.
8	19	38	Rd 28 x 1/8"	18	15	0.07	11003 000 010 10
10	25	44	Rd 34 x 1/8"	18	15	0.08	11003 000 015 10
15	31	54	Rd 44 x 1/6"	20	17	0.13	11003 000 020 10
20	36	63	Rd 52 x 1/6"	21	18	0.18	11003 000 025 10
25	42	70	Rd 58 x 1/6"	21	18	0.22	11003 000 032 10
32	49	78	Rd 65 x 1/6"	21	18	0.25	11003 000 040 10
40	62	92	Rd 78 x 1/6"	22	19	0.33	11003 000 050 10
50	80	112	Rd 95 x 1/6"	25	21	0.55	11003 000 065 10
65	94	127	Rd 110 x 1/4"	29	25	0.80	11003 000 080 10
80	115	148	Rd 130 x 1/4"	31	26	1.08	11003 000 100 10

Aseptic DIN11864-1 Form A (series B) ISO Union Connection

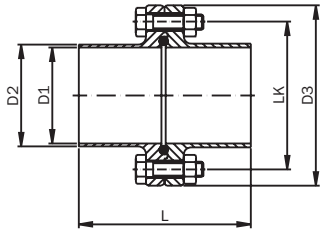


O-Ring Seal ISO

Size mm DN	D	S	EPDM	FKM	PTFE
			Article No.	Article No.	Article No.
8	12	3.5	1129 00 40 1	1129 00 40 2	1129 00 40 4
10	16	3.5	1129 00 76 1	1129 00 76 2	1129 00 76 4
15	20	3.5	1129 00 77 1	1129 00 77 2	1129 00 77 4
20	26	3.5	1129 00 78 1	1129 00 78 2	1129 00 78 4
25	32	5	1129 00 79 1	1129 00 79 2	1129 00 79 4
32	40.5	5	1129 00 80 1	1129 00 80 2	1129 00 80 4
40	46.5	5	1129 00 81 1	1129 00 81 2	1129 00 81 4
50	58.5	5	1129 00 82 1	1129 00 82 2	1129 00 82 4
65	73.5	5	1129 00 83 1	1129 00 83 2	1129 00 83 4
80	85.5	5	1129 00 84 1	1129 00 84 2	1129 00 84 4
100	111	5	1129 00 85 1	1129 00 85 2	1129 00 85 4

**WE CAN OFFER A FULL RANGE OF UNION PARTS VIA AWH - PLEASE CONTACT OUR SALES
DEPARTMENT ON (0044) 1952 583999 or Email sales@neumo.co.uk**

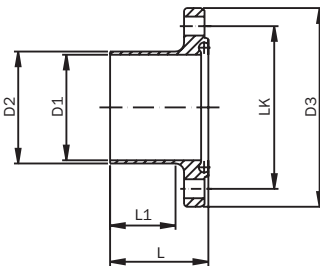
Aseptic DIN11864-2 Form A (series B) ISO Flanged Connection



Is delivered in parts!

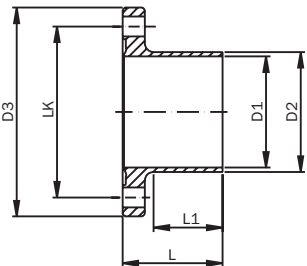
Flange ISO

Size mm DN	D1	D2	D3	LK	L	Weight [kg]	AISI 316L Article No.
8	10.3	13.5	54	37 4/M8 x 30	80	0.33	113L 00 75 2/1
10	14	17.2	59	42 4/M8 x 30	80	0.39	113L 00 76 2/1
15	18.1	21.3	62	45 4/M8 x 30	80	0.43	113L 00 77 2/1
20	23.7	26.9	69	52 4/M8 x 30	80	0.53	113L 00 78 2/1
25	29.7	33.7	74	57 4/M8 x 30	90	0.63	113L 00 79 2/1
32	38.4	42.4	82	65 4/M8 x 30	90	0.74	113L 00 80 2/1
40	44.3	48.3	88	71 4/M8 x 30	90	0.82	113L 00 81 2/1
50	56.3	60.3	103	85 4/M8 x 30	108	1.12	113L 00 82 2/1
65	72.1	76.1	125	104 8/M10 x 30	112	1.66	113L 00 83 2/1
80	84.3	88.9	137	116 8/M10 x 35	116	2.01	113L 00 84 2/1
100	109.7	114.3	168	146 8/M10 x 40	116	3.25	113L 00 85 2/1



Nut ISO

Size mm DN	D1	D2	D3	LK	L	L1	Weight [kg]	AISI 316L Article No.
8	10.3	13.5	54	37 4 x Ø 9	41.5	26	0.17	1131 00 75 2
10	14	17.2	59	42 4 x Ø 9	41.5	26	0.21	1131 00 76 2
15	18.1	21.3	62	45 4 x Ø 9	41.5	26	0.22	1131 00 77 2
20	23.7	26.9	69	52 4 x Ø 9	41.5	26	0.27	1131 00 78 2
25	29.7	33.7	74	57 4 x Ø 9	46.5	31	0.32	1131 00 79 2
32	38.4	42.4	82	65 4 x Ø 9	46.5	31	0.38	1131 00 80 2
40	44.3	48.3	88	77 4 x Ø 9	46.5	31	0.42	1131 00 81 2
50	56.3	60.3	103	85 8 x Ø 9	55.5	42	0.57	1131 00 82 2
65	72.1	76.1	125	104 8 x Ø 11	57.5	42	0.89	1131 00 83 2
80	84.3	88.9	137	116 8 x Ø 11	59.5	42	1.02	1131 00 84 2
100	109.7	114.3	168	146 8 x Ø 11	59.5	42	1.64	1131 00 85 2

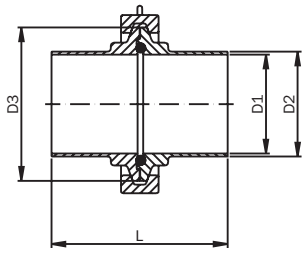


Liner ISO

Size mm DN	D1	D2	D3	LK	L	L1	Weight [kg]	AISI 316L Article No.
8	10.3	13.5	54	37 4 x Ø 9	40	26	0.15	1133 00 75 2
10	14	17.2	59	42 4 x Ø 9	40	26	0.18	1133 00 76 2
15	18.1	21.3	62	47 4 x Ø 9	40	26	0.21	1133 00 77 2
20	23.7	26.9	69	52 4 x Ø 9	40	26	0.26	1133 00 78 2
25	29.7	33.7	74	57 4 x Ø 9	45	31	0.31	1133 00 79 2
32	38.4	42.4	82	65 4 x Ø 9	45	31	0.36	1133 00 80 2
40	44.3	48.3	88	71 4 x Ø 9	45	31	0.40	1133 00 81 2
50	56.3	60.3	103	85 8 x Ø 9	54	42	0.55	1133 00 82 2
65	72.1	76.1	125	104 8 x Ø 11	56	42	0.77	1133 00 83 2
80	84.3	88.9	137	116 8 x Ø 11	58	42	0.99	1133 00 84 2
100	109.7	114.3	168	146 8 x Ø 11	58	42	1.60	1133 00 85 2

WE CAN OFFER A FULL RANGE OF UNION PARTS VIA AWH - PLEASE CONTACT OUR SALES DEPARTMENT ON (0044) 1952 583999 or Email sales@neumo.co.uk

Aseptic DIN11864-3 Form A (series B) ISO Clamp Connection



Is delivered in parts!

Clamp ISO

Size mm DN	D1	D2	D3	L	Weight [kg]	AISI 316L Article No.
8	10.3	13.5	34	76	0.18	119L 00 75 2/1
10	14	17.2	34	76	0.18	119L 00 76 2/1
15	18.1	21.3	34	78	0.22	119L 00 77 2/1
20	23.7	26.9	50.5	78	0.47	119L 00 78 2/1
25	29.7	33.7	50.5	88	0.46	119L 00 79 2/1
32	38.4	42.4	64	88	0.50	119L 00 80 2/1
40	44.3	48.3	64	90	0.60	119L 00 81 2/1
50	56.3	60.3	91	114	1.04	119L 00 82 2/1
65	72.1	76.1	106	117	1.25	119L 00 83 2/1
80	84.3	88.9	119	122	1.33	119L 00 84 2/1

Male ISO

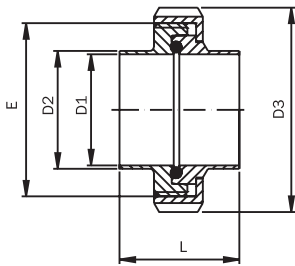
Size mm DN	D1	D2	D3	L	L1	Weight [kg]	AISI 316L Article No.
8	10.3	13.5	34	39.5	26	0.05	1193 00 75 2
10	14	17.2	34	39.5	26	0.05	1193 00 76 2
15	18.1	21.3	34	40.5	26	0.09	1193 00 77 2
20	23.7	26.9	50.5	40	30	0.09	1193 00 78 2
25	29.7	33.7	50.5	45.5	30	0.09	1193 00 79 2
32	38.4	42.4	64	45.5	30	0.14	1193 00 80 2
40	44.3	48.3	64	46.5	30	0.18	1193 00 81 2
50	56.3	60.3	91	58.5	40	0.28	1193 00 82 2
65	72.1	76.1	106	60	40	0.34	1193 00 83 2
80	84.3	88.9	119	62.5	40	0.37	1193 00 84 2

Liner ISO

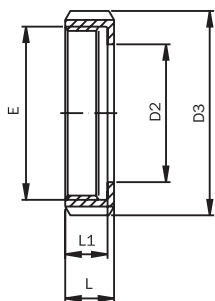
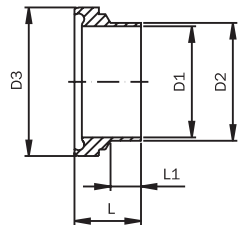
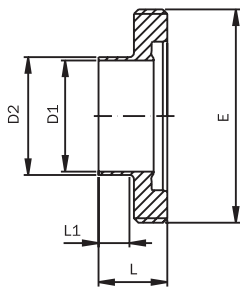
Size mm DN	D1	D2	D3	L	L1	Weight [kg]	AISI 316L Article No.
8	10.3	13.5	34	38	26	0.04	1191 00 75 2
10	14	17.2	34	38	26	0.04	1191 00 76 2
15	18.1	21.3	34	39	26	0.04	1191 00 77 2
20	23.7	26.9	50.5	39	30	0.08	1191 00 78 2
25	29.7	33.7	50.5	44	30	0.08	1191 00 79 2
32	38.4	42.4	64	44	30	0.12	1191 00 80 2
40	44.3	48.3	64	45	30	0.11	1191 00 81 2
50	56.3	60.3	91	57	40	0.22	1191 00 82 2
65	72.1	76.1	106	58.5	40	0.32	1191 00 83 2
80	84.3	88.9	119	61	40	0.36	1191 00 84 2

WE CAN OFFER A FULL RANGE OF UNION PARTS VIA AWH - PLEASE CONTACT OUR SALES DEPARTMENT ON (0044) 1952 583999 or Email sales@neumo.co.uk

Hygienic DIN11853-1 (series C) Imperial Union Connection



Is delivered in parts!



Imperial Union

Size mm DN	D1	D2	D3	E	L	Weight [kg]	AISI 304 Article No.	AISI 316L Article No.
1/2"	9.4	12.7	38	Rd 28 x 1/8"	32	0.19	112K 00 89 1/1	112K 00 89 2/1
3/4"	15.75	19.05	44	Rd 34 x 1/8"	32	0.26	112K 00 90 1/1	112K 00 90 2/1
1"	22.2	25.4	63	Rd 52 x 1/6"	42	0.41	112K 00 91 1/1	112K 00 91 2/1
1 1/2"	34.8	38.1	78	Rd 65 x 1/6"	50	0.57	112K 00 92 1/1	112K 00 92 2/1
2"	47.5	50.8	92	Rd 78 x 1/6"	54	0.76	112K 00 93 1/1	112K 00 93 2/1
2 1/2"	60.2	63.5	112	Rd 95 x 1/6"	62	1.26	112K 00 94 1/1	112K 00 94 2/1
3"	72.9	76.2	127	Rd 110 x 1/4"	72	1.85	112K 00 95 1/1	112K 00 95 2/1
4"	97.38	101.6	148	Rd 130 x 1/4"	86	2.36	112K 00 96 1/1	112K 00 96 2/1

Imperial Male

Size mm DN	D1	D2	E	L	L1	Weight [kg]	AISI 304 Article No.	AISI 316L Article No.
1/2"	9.4	12.7	Rd 28 x 1/8"	19	5	0.04	1122 00 89 1	1122 00 89 2
3/4"	15.75	19.05	Rd 34 x 1/8"	19	5	0.06	1122 00 90 1	1122 00 90 2
1"	22.2	25.4	Rd 52 x 1/6"	26	10	0.15	1122 00 91 1	1122 00 91 2
1 1/2"	34.8	38.1	Rd 65 x 1/6"	31	15	0.20	1122 00 92 1	1122 00 92 2
2"	47.5	50.8	Rd 78 x 1/6"	31	15	0.26	1122 00 93 1	1122 00 93 2
2 1/2"	60.2	63.5	Rd 95 x 1/6"	36	18	0.39	1122 00 94 1	1122 00 94 2
3"	72.9	76.2	Rd 110 x 1/4"	42	18	0.67	1122 00 95 1	1122 00 95 2
4"	97.38	101.6	Rd 130 x 1/4"	50	26	0.75	1122 00 96 1	1122 00 96 2

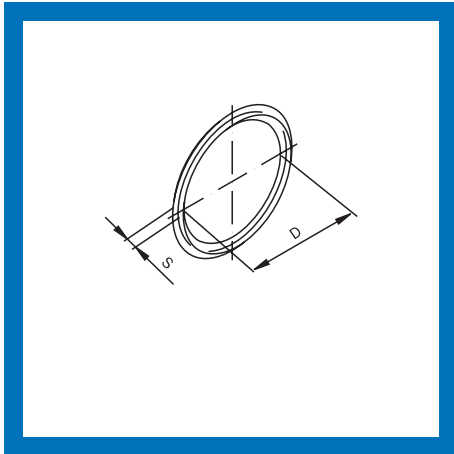
Imperial Liner

Size mm DN	D1	D2	D3	L	L1	Weight [kg]	AISI 304 Article No.	AISI 316L Article No.
1/2"	9.4	12.7	21.9	17	6.5	0.02	1124 00 89 1	1124 00 89 2
3/4"	15.75	19.05	27.9	17	6.5	0.02	1124 00 90 1	1124 00 90 2
1"	22.2	25.4	42.9	22	8	0.08	1124 00 91 1	1124 00 91 2
1 1/2"	34.8	38.1	54.9	26	9.5	0.12	1124 00 92 1	1124 00 92 2
2"	47.5	50.8	66.9	30	12.5	0.17	1124 00 93 1	1124 00 93 2
2 1/2"	60.2	63.5	84.9	34	21	0.32	1124 00 94 1	1124 00 94 2
3"	72.9	76.2	98.9	38	17	0.38	1124 00 95 1	1124 00 95 2
4"	97.38	101.6	118.9	46	21	0.53	1124 00 96 1	1124 00 96 2

Imperial Nut

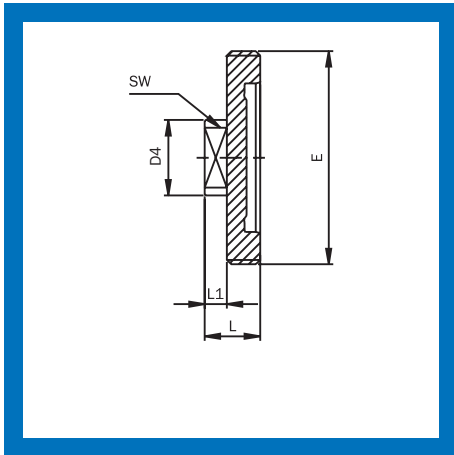
Size mm DN	D2	D3	E	L	L1	Weight [kg]	AISI 304 Article No.
1/2"	38	19	Rd 28 x 1/8"	18	15	0.07	11003 000 010 10
3/4"	44	25	Rd 34 x 1/8"	18	15	0.08	11003 000 015 10
1"	63	36	Rd 52 x 1/6"	21	18	0.18	11003 000 025 10
1 1/2"	78	49	Rd 65 x 1/6"	21	18	0.25	11003 000 040 10
2"	92	62	Rd 78 x 1/6"	22	19	0.33	11003 000 050 10
2 1/2"	112	80	Rd 95 x 1/6"	25	21	0.55	11003 000 065 10
3"	127	94	Rd 110 x 1/4"	29	25	0.80	11003 000 080 10
4"	148	115	Rd 130 x 1/4"	31	26	1.08	11003 000 100 10

Hygienic DIN11853-1 (series C) Imperial Union Connection



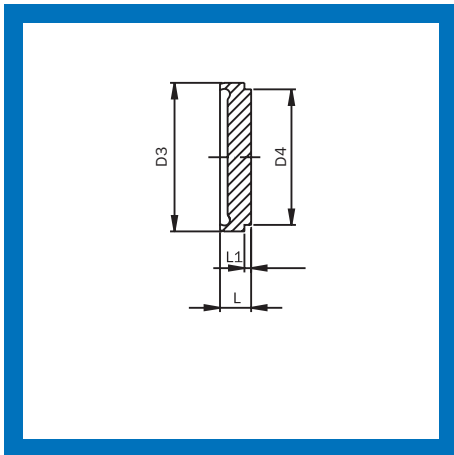
O-Ring Seal

Size mm DN	D	S	EPDM	FKM	PTFE
			Article No.	Article No.	Article No.
1/2"	12	3.5	1129 00 40 1	1129 00 40 2	1129 00 40 4
3/4"	18	3.5	1129 00 41 1	1129 00 41 2	1129 00 41 4
1"	24	3.5	1129 00 91 1	1129 00 91 2	1129 00 91 4
1 1/2"	37	5	1129 00 92 1	1129 00 92 2	1129 00 92 4
2"	50	5	1129 00 93 1	1129 00 93 2	1129 00 93 4
2 1/2"	62	5	1129 00 94 1	1129 00 94 2	1129 00 94 4
3"	75	5	1129 00 95 1	1129 00 95 2	1129 00 95 4
4"	100	5	1129 00 96 1	1129 00 96 2	1129 00 96 4



Imperial Blind Male

Size mm DN	D4	E	SW	L	L1	Weight [kg]	AISI 316L
							Article No.
1/2"	22	Rd 28 x 1/8"	17	24	12	0.07	1127 00 89 2
3/4"	22	Rd 34 x 1/8"	17	24	12	0.10	1127 00 90 2
1"	40	Rd 52 x 1/6"	27	24	10	0.23	1127 00 91 2
1 1/2"	40	Rd 65 x 1/6"	27	24	10	0.30	1127 00 92 2
2"	40	Rd 78 x 1/6"	27	24	10	0.39	1127 00 93 2
2 1/2"	48	Rd 95 x 1/6"	32	28	12	0.60	1127 00 94 2
3"	48	Rd 110 x 1/4"	32	28	12	1.07	1127 00 95 2
4"	48	Rd 130 x 1/4"	32	30	10	1.27	1127 00 96 2

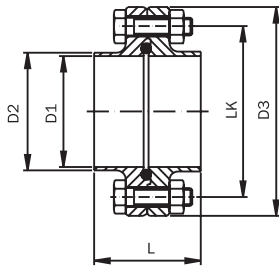


Imperial Blind Liner

Size mm DN	D3	D4	L	L1	Weight [kg]	AISI 316L
						Article No.
1/2"	21.9	18	9	3	0.02	1125 00 89 2
3/4"	27.9	24	9	3	0.03	1125 00 90 2
1"	42.9	35	12	3	0.10	1125 00 91 2
1 1/2"	54.9	48	13	3	0.16	1125 00 92 2
2"	66.9	61	14	3	0.27	1125 00 93 2
2 1/2"	84.9	79	16	4	0.52	1125 00 94 2
3"	98.9	93	16	4	0.70	1125 00 95 2
4"	118.9	114	20	5	1.37	1125 00 96 2

WE CAN OFFER A FULL RANGE OF UNION PARTS VIA AWH - PLEASE CONTACT OUR SALES DEPARTMENT ON (0044) 1952 583999 or Email sales@neumo.co.uk

Hygienic DIN11853-2 (series C) Imperial Flanged Connection



Is delivered in parts!

Imperial Flange

Size mm DN	D1	D2	D3	LK	L	Weight [kg]	AISI 304 Article No.	AISI 316L Article No.
1/2"	9.4	12.7	54	37	4/M8 x 30	48	113K 00 89 1/1	113K 00 89 2/1
3/4"	15.75	19.05	59	42	4/M8 x 30	48	113K 00 90 1/1	113K 00 90 2/1
1"	22.2	25.4	66	49	4/M8 x 30	48	113K 00 91 1/1	113K 00 91 2/1
1 1/2"	34.8	38.1	79	62	4/M8 x 30	48	113K 00 92 1/1	113K 00 92 2/1
2"	47.5	50.8	92	75	4/M8 x 30	48	113K 00 93 1/1	113K 00 93 2/1
2 1/2"	60.2	63.5	107	89	4/M8 x 30	48	113K 00 94 1/1	113K 00 94 2/1
3"	72.9	76.2	125	104	8/M10 x 30	48	113K 00 95 1/1	113K 00 95 2/1
4"	97.38	101.6	157	116	8/M10 x 35	52	113K 00 96 1/1	113K 00 96 2/1

Imperial Nut

Size mm DN	D1	D2	D3	LK	L	L1	Weight [kg]	AISI 304 Article No.	AISI 316L Article No.
1/2"	9.4	12.7	54	37	4 x Ø 9	25.5	10	1132 00 89 1	1132 00 89 2
3/4"	15.75	19.05	59	42	4 x Ø 9	25.5	10	1132 00 90 1	1132 00 90 2
1"	22.2	25.4	66	49	4 x Ø 9	25.5	10	1132 00 91 1	1132 00 91 2
1 1/2"	34.8	38.1	79	62	4 x Ø 9	25.5	10	1132 00 92 1	1132 00 92 2
2"	47.5	50.8	92	75	4 x Ø 9	25.5	10	1132 00 93 1	1132 00 93 2
2 1/2"	60.2	63.5	107	89	4 x Ø 9	25.5	10	1132 00 94 1	1132 00 94 2
3"	72.9	76.2	125	104	8 x Ø 11	25.5	8	1132 00 95 1	1132 00 95 2
4"	97.38	101.6	157	135	8 x Ø 11	27.5	8	1132 00 96 1	1132 00 96 2

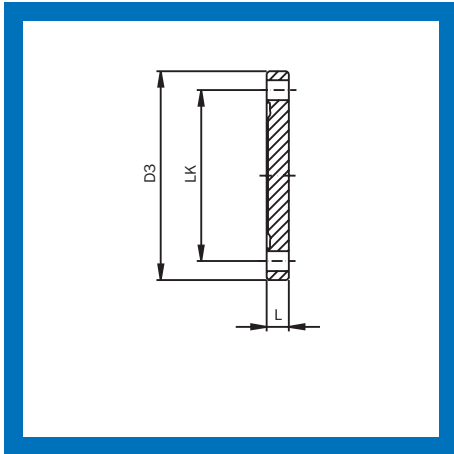
Imperial Liner

Size mm DN	D1	D2	D3	LK	L	L1	Weight [kg]	AISI 304 Article No.	AISI 316L Article No.
1/2"	9.4	12.7	54	37	4 x Ø 9	24	10	1134 00 89 1	1134 00 89 2
3/4"	15.75	19.05	59	42	4 x Ø 9	24	10	1134 00 90 1	1134 00 90 2
1"	22.2	25.4	66	49	4 x Ø 9	24	10	1134 00 91 1	1134 00 91 2
1 1/2"	34.8	38.1	79	62	4 x Ø 9	24	10	1134 00 92 1	1134 00 92 2
2"	47.5	50.8	92	75	4 x Ø 9	24	10	1134 00 93 1	1134 00 93 2
2 1/2"	60.2	63.5	107	89	4 x Ø 9	24	10	1134 00 94 1	1134 00 94 2
3"	72.9	76.2	125	104	8 x Ø 11	24	8	1134 00 95 1	1134 00 95 2
4"	97.38	101.6	157	116	8 x Ø 11	26	8	1134 00 96 1	1134 00 96 2

Imperial Blind Nut

Size mm DN	D3	LK	L	Weight [kg]	AISI 316L Article No.
1/2"	54	37	4 x Ø 9	11.5	1135 00 89 2
3/4"	59	42	4 x Ø 9	11.5	1135 00 90 2
1"	66	49	4 x Ø 9	11.5	1135 00 91 2
1 1/2"	79	62	4 x Ø 9	11.5	1135 00 92 2
2"	92	75	4 x Ø 9	11.5	1135 00 93 2
2 1/2"	107	89	4 x Ø 9	11.5	1135 00 94 2
3"	125	104	8 x Ø 11	13.5	1135 00 95 2
4"	157	135	8 x Ø 11	15.5	1135 00 96 2

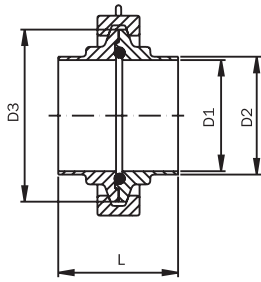
Hygienic DIN11853-2 (series C) Imperial Flanged Connection



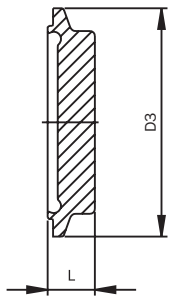
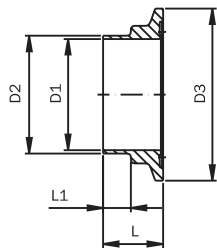
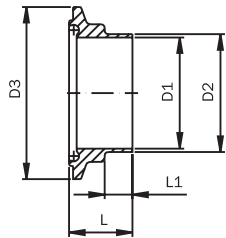
Imperial Blind Liner						
Size mm DN	D3	LK		L	Weight [kg]	AISI 316L Article No.
1/2"	54	37	4 x Ø 9	10	0.16	1137 00 89 2
3/4"	59	42	4 x Ø 9	10	0.19	1137 00 90 2
1"	66	49	4 x Ø 9	10	0.24	1137 00 91 2
1 1/2"	79	62	4 x Ø 9	10	0.34	1137 00 92 2
2"	92	75	4 x Ø 9	10	0.46	1137 00 93 2
2 1/2"	107	89	4 x Ø 9	10	0.61	1137 00 94 2
3"	125	104	8 x Ø 11	12	1.01	1137 00 95 2
4"	157	135	8 x Ø 11	14	1.92	1137 00 96 2

WE CAN OFFER A FULL RANGE OF UNION PARTS VIA AWH - PLEASE CONTACT OUR SALES DEPARTMENT ON (0044) 1952 583999 or Email sales@neumo.co.uk

Hygienic DIN11853-3 (series C) Imperial Clamp Connection



Is delivered in parts!



Imperial Clamp

Size mm DN	D1	D2	D3	L	Weight [kg]	AISI 304 Article No.	AISI 316L Article No.
1/2"	9.4	12.7	34	44	0.18	119K 00 89 1/1	119K 00 89 2/1
3/4"	15.75	19.05	34	44	0.18	119K 00 90 1/1	119K 00 90 2/1
1"	22.1	25.4	50.5	44	0.48	119K 00 91 1/1	119K 00 91 2/1
1 1/2"	34.8	38.1	64	48	0.47	119K 00 92 1/1	119K 00 92 2/1
2"	47.5	50.8	77.5	49	0.46	119K 00 93 1/1	119K 00 93 2/1
2 1/2"	60.2	63.5	91	55	0.57	119K 00 94 1/1	119K 00 94 2/1
3"	72.9	76.2	106	57	0.74	119K 00 95 1/1	119K 00 95 2/1
4"	97.38	101.6	130	59	0.99	119K 00 96 1/1	119K 00 96 2/1

Imperial Nut

Size mm DN	D1	D2	D3	L	L1	Weight [kg]	AISI 304 Article No.	AISI 316L Article No.
1/2"	9.4	12.7	34	23.5	10	0.04	1194 00 89 1	1194 00 89 2
3/4"	15.75	19.05	34	23.5	10	0.03	1194 00 90 1	1194 00 90 2
1"	22.1	25.4	50.5	23.5	10	0.08	1194 00 91 1	1194 00 91 2
1 1/2"	34.8	38.1	64	25.5	10	0.11	1194 00 92 1	1194 00 92 2
2"	47.5	50.8	77.5	26	10	0.14	1194 00 93 1	1194 00 93 2
2 1/2"	60.2	63.5	91	29	10	0.19	1194 00 94 1	1194 00 94 2
3"	72.9	76.2	106	30	10	0.27	1194 00 95 1	1194 00 95 2
4"	97.38	101.6	130	31	10	0.34	1194 00 96 1	1194 00 96 2

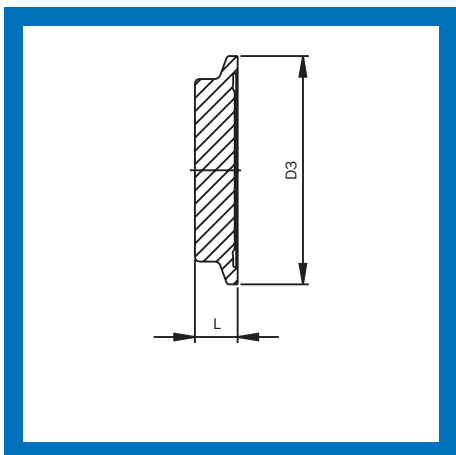
Imperial Liner

Size mm DN	D1	D2	D3	L	L1	Weight [kg]	AISI 304 Article No.	AISI 316L Article No.
1/2"	9.4	12.7	34	22	10	0.03	1192 00 89 1	1192 00 89 2
3/4"	15.75	19.05	34	22	10	0.02	1192 00 90 1	1192 00 90 2
1"	22.1	25.4	50.5	22	10	0.06	1192 00 91 1	1192 00 91 2
1 1/2"	34.8	38.1	64	24	10	0.09	1192 00 92 1	1192 00 92 2
2"	47.5	50.8	77.5	24.5	10	0.13	1192 00 93 1	1192 00 93 2
2 1/2"	60.2	63.5	91	27.5	10	0.18	1192 00 94 1	1192 00 94 2
3"	72.9	76.2	106	28.5	10	0.24	1192 00 95 1	1192 00 95 2
4"	97.38	101.6	130	29.5	10	0.35	1192 00 96 1	1192 00 96 2

Imperial Blind Nut

Size mm DN	D3	L	Weight [kg]	AISI 316L Article No.
1/2"	34	13	0.04	1196 00 89 2
3/4"	34	13	0.04	1196 00 90 2
1"	50.5	13	0.10	1196 00 91 2
1 1/2"	64	13	0.10	1196 00 92 2
2"	77.5	15	0.10	1196 00 93 2
2 1/2"	91	15	0.15	1196 00 94 2
3"	106	15	0.22	1196 00 95 2
4"	130	15	0.29	1196 00 96 2

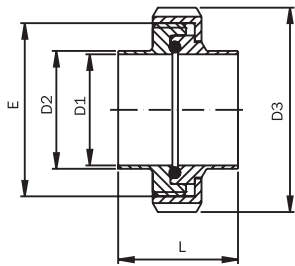
Hygienic DIN11853-3 (series C) Imperial Clamp Connection



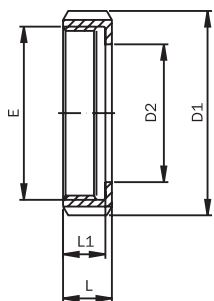
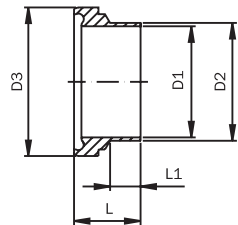
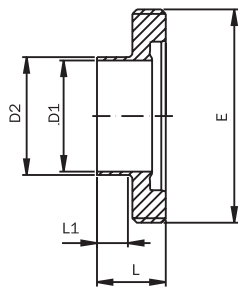
Imperial Blind Liner				
Size mm DN	D3	L	Weight [kg]	AISI 316L Article No.
1/2"	34	11.5	0.04	1195 00 89 2
3/4"	34	11.5	0.04	1195 00 90 2
1"	50.5	11.5	0.10	1195 00 91 2
1 1/2"	64	11.5	0.10	1195 00 92 2
2"	77.5	13.5	0.10	1195 00 93 2
2 1/2"	91	13.5	0.15	1195 00 94 2
3"	106	13.5	0.22	1195 00 95 2
4"	130	13.5	0.29	1195 00 96 2

WE CAN OFFER A FULL RANGE OF UNION PARTS VIA AWH - PLEASE CONTACT OUR SALES DEPARTMENT ON (0044) 1952 583999 or Email sales@neumo.co.uk

Hygienic DIN11853-1 (series A) DIN Union Connection



Is delivered in parts!



Imperial Union

Size mm DN	D1	D2	D3	E	L	Weight [kg]	AISI 304 Article No.	AISI 316L Article No.
10	10	13	38	Rd 28 x 1/8"	32	0.13	112K 00 40 1/1	112K 00 40 2/1
15	16	19	44	Rd 34 x 1/8"	32	0.16	112K 00 41 1/1	112K 00 41 2/1
20	20	23	54	Rd 44 x 1/6"	34	0.28	112K 00 42 1/1	112K 00 42 2/1
25	26	29	63	Rd 52 x 1/6"	42	0.39	112K 00 43 1/1	112K 00 43 2/1
32	32	35	70	Rd 58 x 1/6"	48	0.47	112K 00 44 1/1	112K 00 44 2/1
40	38	41	78	Rd 65 x 1/6"	50	0.55	112K 00 45 1/1	112K 00 45 2/1
50	50	53	92	Rd 78 x 1/6"	54	0.73	112K 00 46 1/1	112K 00 46 2/1
65	66	70	112	Rd 95 x 1/6"	62	1.18	112K 00 09 1/1	112K 00 09 2/1
80	81	85	127	Rd 110 x 1/4"	72	1.68	112K 00 10 1/1	112K 00 10 2/1
100	100	104	148	Rd 130 x 1/4"	86	2.29	112K 00 12 1/1	112K 00 12 2/1

Imperial Male

Size mm DN	D1	D2	E	L	L1	Weight [kg]	AISI 304 Article No.	AISI 316L Article No.
10	10	13	Rd 28 x 1/8"	19	5	0.04	1122 00 40 1	1122 00 40 2
15	16	19	Rd 34 x 1/8"	19	5	0.06	1122 00 41 1	1122 00 41 2
20	20	23	Rd 44 x 1/6"	21	5	0.11	1122 00 42 1	1122 00 42 2
25	26	29	Rd 52 x 1/6"	26	10	0.14	1122 00 43 1	1122 00 43 2
32	32	35	Rd 58 x 1/6"	30	14	0.15	1122 00 44 1	1122 00 44 2
40	38	41	Rd 65 x 1/6"	31	15	0.19	1122 00 45 1	1122 00 45 2
50	50	53	Rd 78 x 1/6"	31	15	0.25	1122 00 46 1	1122 00 46 2
65	66	70	Rd 95 x 1/6"	36	16	0.37	1122 00 09 1	1122 00 09 2
80	81	85	Rd 110 x 1/4"	42	18	0.58	1122 00 10 1	1122 00 10 2
100	100	104	Rd 130 x 1/4"	50	26	0.71	1122 00 12 1	1122 00 12 2

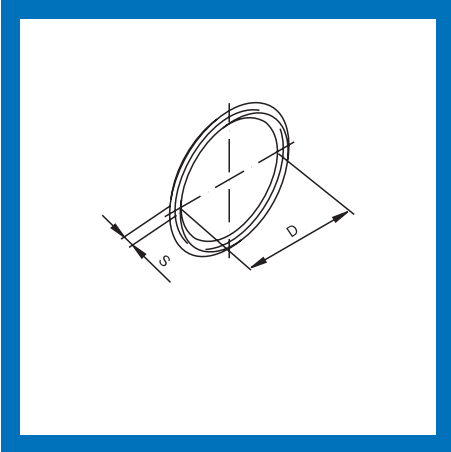
Imperial Liner

Size mm DN	D1	D2	D3	L	L1	Weight [kg]	AISI 304 Article No.	AISI 316L Article No.
10	10	13	21.9	17	5	0.02	1124 00 40 1	1124 00 40 2
15	16	19	27.9	17	5	0.02	1124 00 41 1	1124 00 41 2
20	20	23	35.9	18	5	0.04	1124 00 42 1	1124 00 42 2
25	26	29	42.9	22	8	0.07	1124 00 43 1	1124 00 43 2
32	32	35	48.9	25	10	0.10	1124 00 44 1	1124 00 44 2
40	38	41	54.9	26	10	0.11	1124 00 45 1	1124 00 45 2
50	50	53	66.9	30	13	0.16	1124 00 46 1	1124 00 46 2
65	66	70	84.9	34	15	0.26	1124 00 09 1	1124 00 09 2
80	81	85	98.9	38	15	0.30	1124 00 10 1	1124 00 10 2
100	100	104	118.9	46	23	0.50	1124 00 12 1	1124 00 12 2

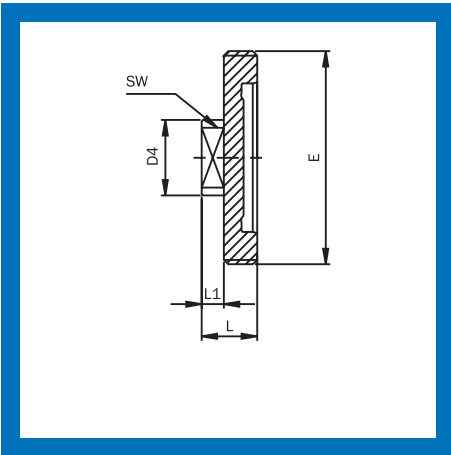
Imperial Nut

Size mm DN	D1	D2	E	L	L1	Weight [kg]	AISI 304 Article No.
10	38	19	Rd 28 x 1/8"	18	15	0.07	11003 000 010 10
15	44	25	Rd 34 x 1/8"	18	15	0.08	11003 000 015 10
20	54	31	Rd 44 x 1/6"	20	17	0.13	11003 000 020 10
25	63	36	Rd 52 x 1/6"	21	18	0.18	11003 000 025 10
32	70	42	Rd 58 x 1/6"	21	18	0.22	11003 000 032 10
40	78	49	Rd 65 x 1/6"	21	18	0.25	11003 000 040 10
50	92	62	Rd 78 x 1/6"	22	19	0.33	11003 000 050 10
65	112	80	Rd 95 x 1/6"	25	21	0.55	11003 000 065 10
80	127	94	Rd 110 x 1/4"	29	25	0.80	11003 000 080 10
100	148	115	Rd 130 x 1/4"	31	26	1.08	11003 000 100 10

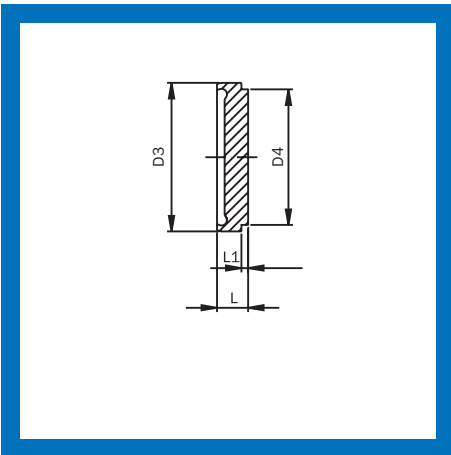
Hygienic DIN11853-1 (series A) DIN Union Connection



O-Ring Seal					
Size mm DN	D	S	EPDM	FKM	PTFE
			Article No.	Article No.	Article No.
10	12	3.5	1129 00 40 1	1129 00 40 2	1129 00 40 4
15	18	3.5	1129 00 41 1	1129 00 41 2	1129 00 41 4
20	22	3.5	1129 00 42 1	1129 00 42 2	1129 00 42 4
25	28	3.5	1129 00 43 1	1129 00 43 2	1129 00 43 4
32	34	5	1129 00 44 1	1129 00 44 2	1129 00 44 4
40	40	5	1129 00 45 1	1129 00 45 2	1129 00 45 4
50	52	5	1129 00 46 1	1129 00 46 2	1129 00 46 4
65	68	5	1129 00 09 1	1129 00 09 2	1129 00 09 4
80	83	5	1129 00 10 1	1129 00 10 2	1129 00 10 4
100	102	5	1129 00 12 1	1129 00 12 2	1129 00 12 4
125	127	5	1129 00 13 1	1129 00 13 2	1129 00 13 4
150	152	5	1129 00 15 1	1129 00 15 2	1129 00 15 4



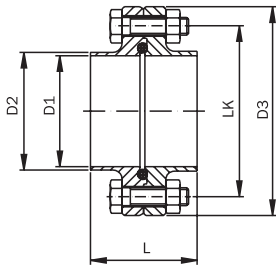
Imperial Blind Male							
Size mm DN	D4	E	SW	L	L1	Weight [kg]	AISI 316L
							Article No.
1/2"	22	Rd 28 x 1/8"	17	24	12	0.07	1127 00 89 2
3/4"	22	Rd 34 x 1/8"	17	24	12	0.10	1127 00 90 2
1"	40	Rd 52 x 1/6"	27	24	10	0.23	1127 00 91 2
1 1/2"	40	Rd 65 x 1/6"	27	24	10	0.30	1127 00 92 2
2"	40	Rd 78 x 1/6"	27	24	10	0.39	1127 00 93 2
2 1/2"	48	Rd 95 x 1/6"	32	28	12	0.60	1127 00 94 2
3"	48	Rd 110 x 1/4"	32	28	12	1.07	1127 00 95 2
4"	48	Rd 130 x 1/4"	32	30	10	1.27	1127 00 96 2



Imperial Blind Liner						
Size mm DN	D3	D4	L	L1	Weight [kg]	AISI 316L
						Article No.
1/2"	21.9	18	9	3	0.02	1125 00 89 2
3/4"	27.9	24	9	3	0.03	1125 00 90 2
1"	42.9	35	12	3	0.10	1125 00 91 2
1 1/2"	54.9	48	13	3	0.16	1125 00 92 2
2"	66.9	61	14	3	0.27	1125 00 93 2
2 1/2"	84.9	79	16	4	0.52	1125 00 94 2
3"	98.9	93	16	4	0.70	1125 00 95 2
4"	118.9	114	20	5	1.37	1125 00 96 2

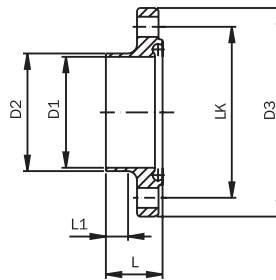
WE CAN OFFER A FULL RANGE OF UNION PARTS VIA AWH - PLEASE CONTACT OUR SALES DEPARTMENT ON (0044) 1952 583999 or Email sales@neumo.co.uk

Hygienic DIN11853-2 (series A) DIN Flanged Connection

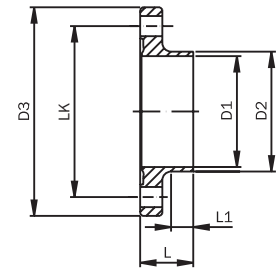


Is delivered in parts!

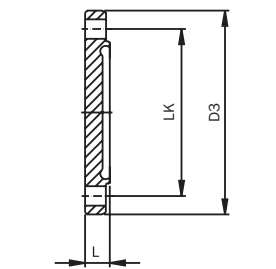
DIN Flange									
Size mm DN	D1	D2	D3	LK	L	Weight [kg]	AISI 304 Article No.	AISI 316L Article No.	
10	10	13	54	37	4/M8 x 30	48	0.31	113K 00 40 1/1	113K 00 40 2/1
15	16	19	59	42	4/M8 x 30	48	0.37	113K 00 41 1/1	113K 00 41 2/1
20	20	23	64	47	4/M8 x 30	48	0.43	113K 00 42 1/1	113K 00 42 2/1
25	26	29	70	53	4/M8 x 30	48	0.50	113K 00 43 1/1	113K 00 43 2/1
32	32	35	76	59	4/M8 x 30	48	0.57	113K 00 44 1/1	113K 00 44 2/1
40	38	41	82	65	4/M8 x 30	48	0.64	113K 00 45 1/1	113K 00 45 2/1
50	50	53	94	77	4/M8 x 30	48	0.78	113K 00 46 1/1	113K 00 46 2/1
65	66	70	113	95	8/M8 x 30	48	1.03	113K 00 09 1/1	113K 00 09 2/1
80	81	85	133	112	8/M10 x 35	52	1.59	113K 00 10 1/1	113K 00 10 2/1
100	100	104	159	137	8/M10 x 40	52	2.56	113K 00 12 1/1	113K 00 12 2/1
125	125	129	183	161	8/M10 x 40	56	3.06	113K 00 13 1/1	113K 00 13 2/1
150	150	154	213	188	8/M12 x 50	56	4.34	113K 00 15 1/1	113K 00 15 2/1



DIN Nut										
Size mm DN	D1	D2	D3	LK	L	L1	Weight [kg]	AISI 304 Article No.	AISI 316L Article No.	
10	10	13	54	37	4 x Ø 9	25.5	10	0.16	1132 00 40 1	1132 00 40 2
15	16	19	59	42	4 x Ø 9	25.5	10	0.19	1132 00 41 1	1132 00 41 2
20	20	23	64	47	4 x Ø 9	25.5	10	0.22	1132 00 42 1	1132 00 42 2
25	26	29	70	53	4 x Ø 9	25.5	10	0.25	1132 00 43 1	1132 00 43 2
32	32	35	76	59	4 x Ø 9	25.5	10	0.29	1132 00 44 1	1132 00 44 2
40	38	41	82	65	4 x Ø 9	25.5	10	0.33	1132 00 45 1	1132 00 45 2
50	50	53	94	77	4 x Ø 9	25.5	10	0.40	1132 00 46 1	1132 00 46 2
65	66	70	113	95	4 x Ø 9	25.5	10	0.53	1132 00 09 1	1132 00 09 2
80	81	85	133	112	8 x Ø 11	27.5	10	0.81	1132 00 10 1	1132 00 10 2
100	100	104	159	137	8 x Ø 11	27.5	10	1.30	1132 00 12 1	1132 00 12 2
125	125	129	183	161	8 x Ø 11	29.5	10	1.55	1132 00 13 1	1132 00 13 2
150	150	154	213	188	8 x Ø 14	29.5	8	2.20	1132 00 15 1	1132 00 15 2

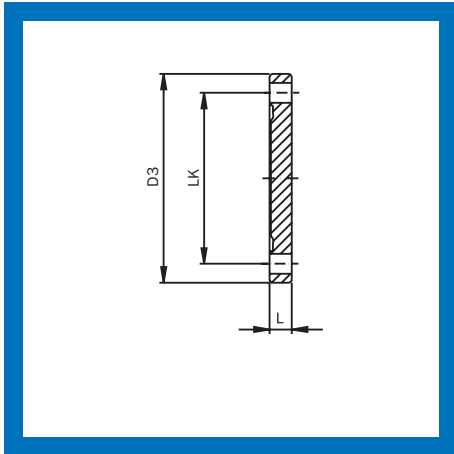


DIN Liner										
Size mm DN	D1	D2	D3	LK	L	L1	Weight [kg]	AISI 304 Article No.	AISI 316L Article No.	
10	10	13	54	37	4 x Ø 9	24	10	0.16	1134 00 40 1	1134 00 40 2
15	16	19	59	42	4 x Ø 9	24	10	0.18	1134 00 41 1	1134 00 41 2
20	20	23	64	47	4 x Ø 9	24	10	0.21	1134 00 42 1	1134 00 42 2
25	26	29	70	53	4 x Ø 9	24	10	0.25	1134 00 43 1	1134 00 43 2
32	32	35	76	59	4 x Ø 9	24	10	0.28	1134 00 44 1	1134 00 44 2
40	38	41	82	65	4 x Ø 9	24	10	0.31	1134 00 45 1	1134 00 45 2
50	50	53	94	77	4 x Ø 9	24	10	0.38	1134 00 46 1	1134 00 46 2
65	66	70	113	95	4 x Ø 9	24	10	0.50	1134 00 09 1	1134 00 09 2
80	81	85	133	112	8 x Ø 11	26	10	0.78	1134 00 10 1	1134 00 10 2
100	100	104	159	137	8 x Ø 11	26	10	1.26	1134 00 12 1	1134 00 12 2
125	125	129	183	161	8 x Ø 11	28	10	1.50	1134 00 13 1	1134 00 13 2
150	150	154	213	188	8 x Ø 14	28	8	2.14	1134 00 15 1	1134 00 15 2



DIN Blind Nut						
Size mm DN	D3	LK	L	Weight [kg]	AISI 316L Article No.	
10	54	37	4 x Ø 9	11.5	0.04	1135 00 40 2
15	59	42	4 x Ø 9	11.5	0.06	1135 00 41 2
20	64	47	4 x Ø 9	11.5	0.08	1135 00 42 2
25	70	53	4 x Ø 9	11.5	0.11	1135 00 43 2
32	76	59	4 x Ø 9	11.5	0.14	1135 00 44 2
40	82	65	4 x Ø 9	11.5	0.18	1135 00 45 2
50	94	77	4 x Ø 9	11.5	0.26	1135 00 46 2
65	113	95	4 x Ø 9	11.5	0.38	1135 00 09 2
80	133	112	8 x Ø 11	13.5	0.63	1135 00 10 2
100	159	137	8 x Ø 11	15.5	1.09	1135 00 12 2
125	183	161	8 x Ø 11	15.5	1.59	1135 00 13 2
150	213	188	8 x Ø 14	17.5	2.52	1135 00 15 2

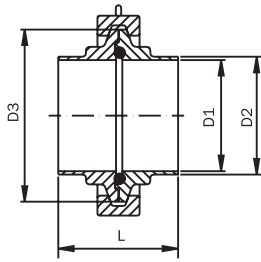
Hygienic DIN11853-2 (series A) DIN Flanged Connection



DIN Blind Male						
Size mm DN	D3	LK		L	Weight [kg]	AISI 316L Article No.
10	54	37	4 x Ø 9	10	0.16	1137 00 40 2
15	59	42	4 x Ø 9	10	0.19	1137 00 41 2
20	64	47	4 x Ø 9	10	0.22	1137 00 42 2
25	70	53	4 x Ø 9	10	0.27	1137 00 43 2
32	76	59	4 x Ø 9	10	0.32	1137 00 44 2
40	82	65	4 x Ø 9	10	0.37	1137 00 45 2
50	94	77	4 x Ø 9	10	0.48	1137 00 46 2
65	113	95	4 x Ø 9	10	0.69	1137 00 09 2
80	133	112	8 x Ø 11	12	1.15	1137 00 10 2
100	159	137	8 x Ø 11	14	1.97	1137 00 12 2
125	183	161	8 x Ø 11	14	2.62	1137 00 13 2
150	213	188	8 x Ø 14	16	4.12	1137 00 15 2

WE CAN OFFER A FULL RANGE OF UNION PARTS VIA AWH - PLEASE CONTACT OUR SALES DEPARTMENT ON (0044) 1952 583999 or Email sales@neumo.co.uk

Hygienic DIN11853-3 (series A) DIN Clamp Connection



Is delivered in parts!

Clamp DIN

Size mm DN	D1	D2	D3	L	Weight [kg]	AISI 304 Article No.	AISI 316L Article No.
10	10	13	34	44	0.17	119K 00 40 1/1	119K 00 40 2/1
15	16	19	34	44	0.16	119K 00 41 1/1	119K 00 41 2/1
20	20	23	50.5	44	0.45	119K 00 42 1/1	119K 00 42 2/1
25	26	29	50.5	44	0.45	119K 00 43 1/1	119K 00 43 2/1
32	32	35	50.5	48	0.43	119K 00 44 1/1	119K 00 44 2/1
40	38	41	64	48	0.54	119K 00 45 1/1	119K 00 45 2/1
50	50	53	77.5	49	0.71	119K 00 46 1/1	119K 00 46 2/1
65	66	70	91	53	0.88	119K 00 09 1/1	119K 00 09 2/1
80	81	85	106	57	1.04	119K 00 10 1/1	119K 00 10 2/1
100	100	104	130	60	1.11	119K 00 12 1/1	119K 00 12 2/1

Nut DIN

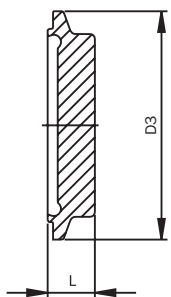
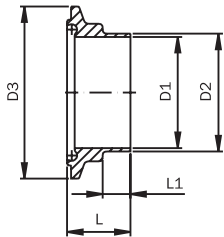
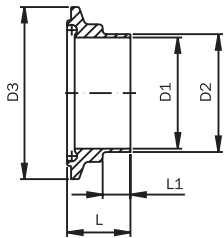
Size mm DN	D1	D2	D3	L	L1	Weight [kg]	AISI 304 Article No.	AISI 316L Article No.
10	10	13	34	23.5	10	0.04	1194 00 40 1	1194 00 40 2
15	16	19	34	23.5	10	0.03	1194 00 41 1	1194 00 41 2
20	20	23	50.5	23.5	10	0.07	1194 00 42 1	1194 00 42 2
25	26	29	50.5	23.5	10	0.07	1194 00 43 1	1194 00 43 2
32	32	35	50.5	25.5	10	0.06	1194 00 44 1	1194 00 44 2
40	38	41	64	25.5	10	0.10	1194 00 45 1	1194 00 45 2
50	50	53	77.5	26	10	0.14	1194 00 46 1	1194 00 46 2
65	66	70	91	28	10	0.17	1194 00 09 1	1194 00 09 2
80	81	85	106	30	10	0.21	1194 00 10 1	1194 00 10 2
100	100	104	130	31.5	10	0.23	1194 00 12 1	1194 00 12 2

Liner DIN

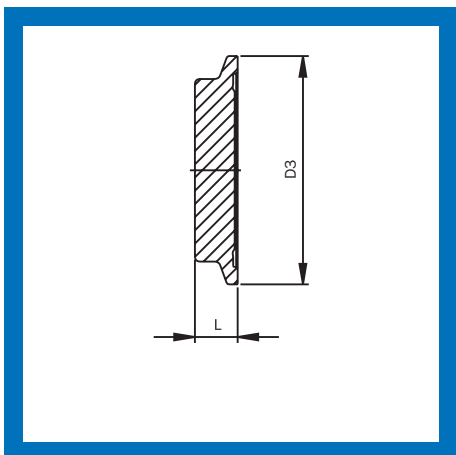
Size mm DN	D1	D2	D3	L	L1	Weight [kg]	AISI 304 Article No.	AISI 316L Article No.
10	10	13	34	22	10	0.03	1192 00 40 1	1192 00 40 2
15	16	19	34	22	10	0.03	1192 00 41 1	1192 00 41 2
20	20	23	50.5	22	10	0.07	1192 00 42 1	1192 00 42 2
25	26	29	50.5	22	10	0.06	1192 00 43 1	1192 00 43 2
32	32	35	50.5	24	10	0.05	1192 00 44 1	1192 00 44 2
40	38	41	64	24	10	0.09	1192 00 45 1	1192 00 45 2
50	50	53	77.5	24.5	10	0.13	1192 00 46 1	1192 00 46 2
65	66	70	91	26.5	10	0.18	1192 00 09 1	1192 00 09 2
80	81	85	106	28.5	10	0.23	1192 00 10 1	1192 00 10 2
100	100	104	130	30	10	0.28	1192 00 12 1	1192 00 12 2

Blind Nut DIN

Size mm DN	D3	L	Weight [kg]	AISI 316L Article No.
10	34	13	0.04	1196 00 40 2
15	34	13	0.04	1196 00 41 2
20	50.5	13	0.10	1196 00 42 2
25	50.5	13	0.10	1196 00 43 2
32	50.5	13	0.10	1196 00 44 2
40	64	13	0.15	1196 00 45 2
50	77.5	15	0.22	1196 00 46 2
65	91	15	0.29	1196 00 09 2
80	106	15	0.41	1196 00 10 2
100	130	15	0.53	1196 00 12 2



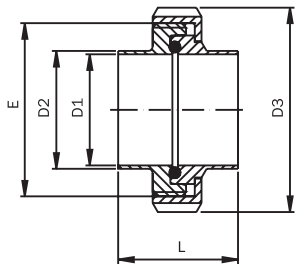
Hygienic DIN11853-3 (series A) DIN Clamp Connection



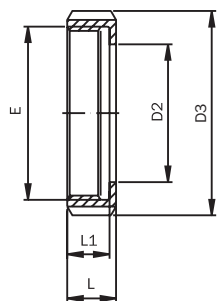
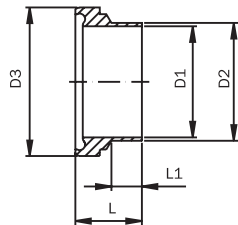
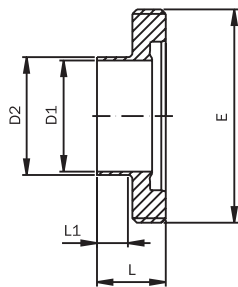
Blind Liner DIN				
Size mm DN	D3	L	Weight [kg]	AISI 316L Article No.
10	34	11.5	0.04	1195 00 40 2
15	34	11.5	0.04	1195 00 41 2
20	50.5	11.5	0.10	1195 00 42 2
25	50.5	11.5	0.10	1195 00 43 2
32	50.5	11.5	0.10	1195 00 44 2
40	64	11.5	0.15	1195 00 45 2
50	77.5	13.5	0.22	1195 00 46 2
65	91	13.5	0.29	1195 00 09 2
80	106	13.5	0.41	1195 00 10 2
100	130	13.5	0.53	1195 00 12 2

WE CAN OFFER A FULL RANGE OF UNION PARTS VIA AWH - PLEASE CONTACT OUR SALES DEPARTMENT ON (0044) 1952 583999 or Email sales@neumo.co.uk

Hygienic DIN11853-1 (series B) ISO Union Connection



Is delivered in parts!



Union ISO

Size mm DN	D1	D2	D3	E	L	Weight [kg]	AISI 304 Article No.	AISI 316L Article No.
8	10.3	13.5	38	Rd 28 x 1/8"	32	0.13	112K 00 75 1/1	112K 00 75 2/1
10	14	17.2	44	Rd 34 x 1/8"	32	0.16	112K 00 76 1/1	112K 00 76 2/1
15	18.1	21.3	54	Rd 44 x 1/6"	34	0.24	112K 00 77 1/1	112K 00 77 2/1
20	23.7	26.9	63	Rd 52 x 1/6"	42	0.35	112K 00 78 1/1	112K 00 78 2/1
25	29.7	33.7	70	Rd 58 x 1/6"	48	0.45	112K 00 79 1/1	112K 00 79 2/1
32	38.4	42.4	78	Rd 65 x 1/6"	50	0.53	112K 00 80 1/1	112K 00 80 2/1
40	44.3	48.3	92	Rd 78 x 1/6"	54	0.72	112K 00 81 1/1	112K 00 81 2/1
50	56.3	60.3	112	Rd 95 x 1/6"	62	1.07	112K 00 82 1/1	112K 00 82 2/1
65	72.1	76.1	127	Rd 110 x 1/4"	72	1.67	112K 00 83 1/1	112K 00 83 2/1
80	84.3	88.9	148	Rd 130 x 1/4"	86	2.40	112K 00 84 1/1	112K 00 84 2/1

Male ISO

Size mm DN	D1	D2	E	L	L1	Weight [kg]	AISI 304 Article No.	AISI 316L Article No.
8	10.3	13.5	Rd 28 x 1/8"	19	5	0.04	1122 00 75 1	1122 00 75 2
10	14	17.2	Rd 34 x 1/8"	19	5	0.06	1122 00 76 1	1122 00 76 2
15	18.1	21.3	Rd 44 x 1/6"	21	5	0.11	1122 00 77 1	1122 00 77 2
20	23.7	26.9	Rd 52 x 1/6"	26	7	0.14	1122 00 78 1	1122 00 78 2
25	29.7	33.7	Rd 58 x 1/6"	30	9	0.16	1122 00 79 1	1122 00 79 2
32	38.4	42.4	Rd 65 x 1/6"	31	11	0.19	1122 00 80 1	1122 00 80 2
40	44.3	48.3	Rd 78 x 1/6"	31	12	0.27	1122 00 81 1	1122 00 81 2
50	56.3	60.3	Rd 95 x 1/6"	36	12	0.41	1122 00 82 1	1122 00 82 2
65	72.1	76.1	Rd 110 x 1/4"	42	17	0.70	1122 00 83 1	1122 00 83 2
80	84.3	88.9	Rd 130 x 1/4"	50	18	0.86	1122 00 84 1	1122 00 84 2

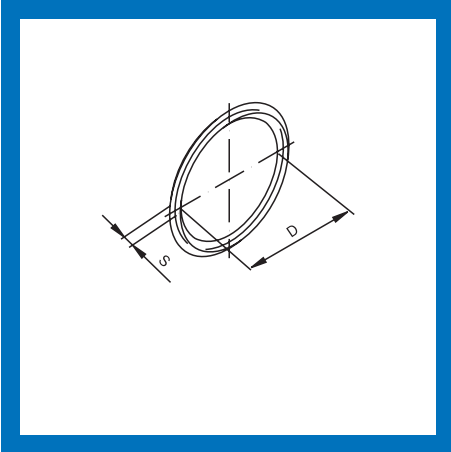
Liner ISO

Size mm DN	D1	D2	D3	L	L1	Weight [kg]	AISI 304 Article No.	AISI 316L Article No.
8	10.3	13.5	21.9	17	5	0.02	1124 00 75 1	1124 00 75 2
10	14	17.2	27.9	17	5	0.02	1124 00 76 1	1124 00 76 2
15	18.1	21.3	35.9	18	5	0.05	1124 00 77 1	1124 00 77 2
20	23.7	26.9	42.9	22	7	0.08	1124 00 78 1	1124 00 78 2
25	29.7	33.7	48.9	25	9	0.11	1124 00 79 1	1124 00 79 2
32	38.4	42.4	54.9	26	11	0.12	1124 00 80 1	1124 00 80 2
40	44.3	48.3	66.9	30	12	0.20	1124 00 81 1	1124 00 81 2
50	56.3	60.3	84.9	34	12	0.33	1124 00 82 1	1124 00 82 2
65	72.1	76.1	98.9	38	17	0.42	1124 00 83 1	1124 00 83 2
80	84.3	88.9	118.9	46	18	0.74	1124 00 84 1	1124 00 84 2

Nut ISO

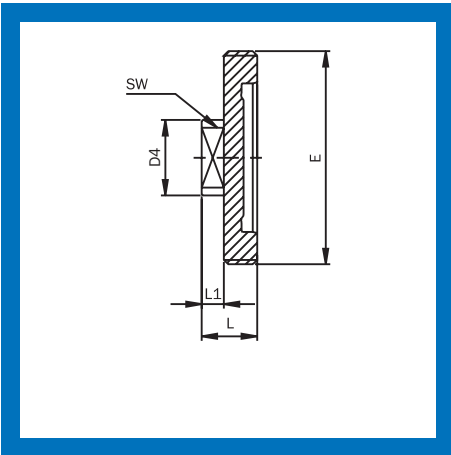
Size mm DN	D1	D2	E	L	L1	Weight [kg]	AISI 316L Article No.
8	38	19	Rd 28 x 1/8"	18	15	0.07	11003 000 010 10
10	44	25	Rd 34 x 1/8"	18	15	0.08	11003 000 015 10
15	54	31	Rd 44 x 1/6"	20	17	0.13	11003 000 020 10
20	63	36	Rd 52 x 1/6"	21	18	0.18	11003 000 025 10
25	70	42	Rd 58 x 1/6"	21	18	0.22	11003 000 032 10
32	78	49	Rd 65 x 1/6"	21	18	0.25	11003 000 040 10
40	92	62	Rd 78 x 1/6"	22	19	0.33	11003 000 050 10
50	112	80	Rd 95 x 1/6"	25	21	0.55	11003 000 065 10
65	127	94	Rd 110 x 1/4"	29	25	0.80	11003 000 080 10
80	148	115	Rd 130 x 1/4"	31	26	1.08	11003 000 100 10

Hygienic DIN11853-1 (series B) ISO Union Connection



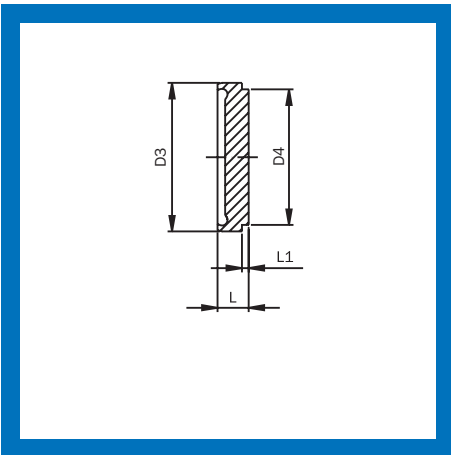
O-Ring Seal ISO

Size mm DN	D	S	EPDM	FKM	PTFE
			Article No.	Article No.	Article No.
8	12	3.5	1129 00 40 1	1129 00 40 2	1129 00 40 4
10	16	3.5	1129 00 76 1	1129 00 76 2	1129 00 76 4
15	20	3.5	1129 00 77 1	1129 00 77 2	1129 00 77 4
20	26	3.5	1129 00 78 1	1129 00 78 2	1129 00 78 4
25	32	5	1129 00 79 1	1129 00 79 2	1129 00 79 4
32	40.5	5	1129 00 80 1	1129 00 80 2	1129 00 80 4
40	46.5	5	1129 00 81 1	1129 00 81 2	1129 00 81 4
50	58.5	5	1129 00 82 1	1129 00 82 2	1129 00 82 4
65	73.5	5	1129 00 83 1	1129 00 83 2	1129 00 83 4
80	85.5	5	1129 00 84 1	1129 00 84 2	1129 00 84 4
100	111	5	1129 00 85 1	1129 00 85 2	1129 00 85 4



Blind Male ISO

Size mm DN	D4	E	SW	L	L1	Weight [kg]	AISI 316L
							Article No.
8	22	Rd 28 x 1/8"	17	24	12	0.07	1127 00 75 2
10	22	Rd 34 x 1/8"	17	24	12	0.10	1127 00 76 2
15	22	Rd 44 x 1/6"	17	24	10	0.16	1127 00 77 2
20	40	Rd 52 x 1/6"	27	24	10	0.23	1127 00 78 2
25	40	Rd 58 x 1/6"	27	24	10	0.25	1127 00 79 2
32	40	Rd 65 x 1/6"	27	24	10	0.30	1127 00 80 2
40	40	Rd 78 x 1/6"	27	24	10	0.39	1127 00 81 2
50	48	Rd 95 x 1/6"	32	28	12	0.60	1127 00 82 2
65	48	Rd 110 x 1/4"	32	28	8	1.07	1127 00 83 2
80	48	Rd 130 x 1/4"	32	30	10	1.27	1127 00 84 2

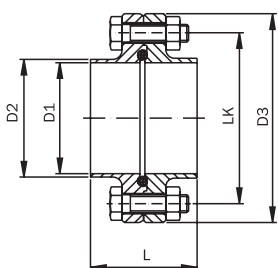


Blind Liner ISO

Size mm DN	D3	D4	L	L1	Weight [kg]	AISI 316L
						Article No.
8	21.9	18	9	3	0.02	1125 00 75 2
10	27.9	24	9	3	0.03	1125 00 76 2
15	35.9	30	10	3	0.06	1125 00 77 2
20	42.9	35	12	3	0.10	1125 00 78 2
25	48.9	41	13	3	0.13	1125 00 79 2
32	54.9	48	13	3	0.16	1125 00 80 2
40	66.9	61	14	3	0.27	1125 00 81 2
50	84.9	79	16	4	0.52	1125 00 82 2
65	98.9	93	16	4	0.70	1125 00 83 2
80	118.9	114	20	5	1.37	1125 00 84 2

WE CAN OFFER A FULL RANGE OF UNION PARTS VIA AWH - PLEASE CONTACT OUR SALES DEPARTMENT ON (0044) 1952 583999 or Email sales@neumo.co.uk

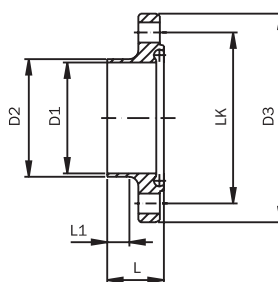
Hygienic DIN11853-2 (series B) ISO Flanged Connection



Is delivered in parts!

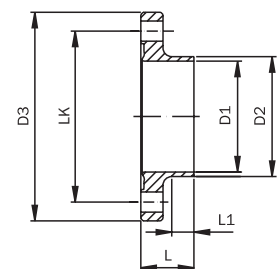
Flange ISO

Size mm DN	D1	D2	D3	LK	L	Weight [kg]	AISI 304 Article No.	AISI 316L Article No.	
8	10.3	13.5	54	37	4/M8 x 30	48	0.31	113K 00 75 1/1	113K 00 75 2/1
10	14	17.2	59	42	4/M8 x 30	48	0.37	113K 00 76 1/1	113K 00 76 2/1
15	18.1	21.3	62	45	4/M8 x 30	48	0.41	113K 00 77 1/1	113K 00 77 2/1
20	23.7	26.9	69	52	4/M8 x 30	48	0.50	113K 00 78 1/1	113K 00 78 2/1
25	29.7	33.7	74	57	4/M8 x 30	48	0.56	113K 00 79 1/1	113K 00 79 2/1
32	38.4	42.4	82	65	4/M8 x 30	48	0.65	113K 00 80 1/1	113K 00 80 2/1
40	44.3	48.3	88	71	4/M8 x 30	48	0.73	113K 00 81 1/1	113K 00 81 2/1
50	56.3	60.3	103	85	8/M8 x 30	48	0.94	113K 00 82 1/1	113K 00 82 2/1
65	72.1	76.1	125	104	8/M10 x 30	48	1.40	113K 00 83 1/1	113K 00 83 2/1
80	84.3	88.9	137	116	8/M10 x 35	52	1.69	113K 00 84 1/1	113K 00 84 2/1
100	109.7	114.3	168	146	8/M10 x 40	52	2.79	113K 00 85 1/1	113K 00 85 2/1



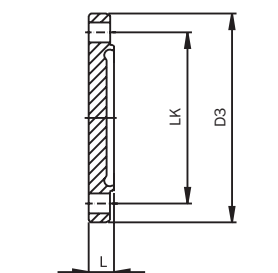
Nut ISO

Size mm DN	D1	D2	D3	LK	L	L1	Weight [kg]	AISI 304 Article No.	AISI 316L Article No.
8	10.3	13.5	54	37	4 x Ø9	25.5	0.16	1132 00 75 1	1132 00 75 2
10	14	17.2	59	42	4 x Ø9	25.5	0.19	1132 00 76 1	1132 00 76 2
15	18.1	21.3	62	45	4 x Ø9	25.5	0.20	1132 00 77 1	1132 00 77 2
20	23.7	26.9	69	52	4 x Ø9	25.5	0.25	1132 00 78 1	1132 00 78 2
25	29.7	33.7	74	57	4 x Ø9	25.5	0.29	1132 00 79 1	1132 00 79 2
32	38.4	42.4	82	69	4 x Ø9	25.5	0.33	1132 00 80 1	1132 00 80 2
40	44.3	48.3	88	71	4 x Ø9	25.5	0.37	1132 00 81 1	1132 00 81 2
50	56.3	60.3	103	85	4 x Ø9	25.5	0.48	1132 00 82 1	1132 00 82 2
65	72.1	76.1	125	104	8 x Ø11	25.5	0.76	1132 00 83 1	1132 00 83 2
80	84.3	88.9	137	116	8 x Ø11	27.5	0.86	1132 00 84 1	1132 00 84 2
100	109.7	114.3	168	146	8 x Ø11	27.5	1.39	1132 00 85 1	1132 00 85 2



Liner ISO

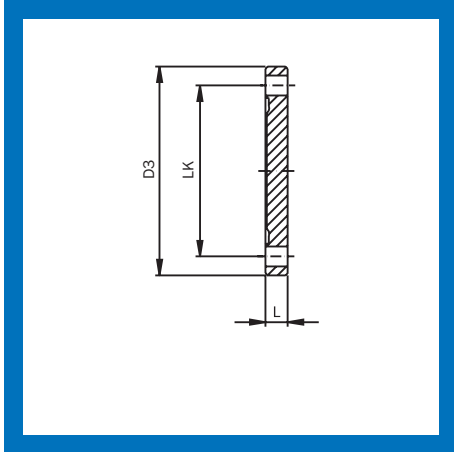
Size mm DN	D1	D2	D3	LK	L	L1	Weight [kg]	AISI 304 Article No.	AISI 316L Article No.
8	10.3	13.5	54	37	4 x Ø9	24	0.15	1134 00 75 1	1134 00 75 2
10	14	17.2	59	42	4 x Ø9	24	0.18	1134 00 76 1	1134 00 76 2
15	18.1	21.3	62	45	4 x Ø9	24	0.20	1134 00 77 1	1134 00 77 2
20	23.7	26.9	69	52	4 x Ø9	24	0.25	1134 00 78 1	1134 00 78 2
25	29.7	33.7	74	57	4 x Ø9	24	0.27	1134 00 79 1	1134 00 79 2
32	38.4	42.4	82	69	4 x Ø9	24	0.32	1134 00 80 1	1134 00 80 2
40	44.3	48.3	88	71	4 x Ø9	24	0.35	1134 00 81 1	1134 00 81 2
50	56.3	60.3	103	85	4 x Ø9	24	0.46	1134 00 82 1	1134 00 82 2
65	72.1	76.1	125	104	8 x Ø11	24	0.64	1134 00 83 1	1134 00 83 2
80	84.3	88.9	137	116	8 x Ø11	26	0.83	1134 00 84 1	1134 00 84 2
100	109.7	114.3	168	146	8 x Ø11	26	1.36	1134 00 85 1	1134 00 85 2



Blind Nut ISO

Size mm DN	D3	LK	L	Weight [kg]	AISI 316L Article No.
8	54	37	4 x Ø9	11.5	1135 00 75 2
10	59	42	4 x Ø9	11.5	1135 00 76 2
15	62	45	4 x Ø9	11.5	1135 00 77 2
20	69	52	4 x Ø9	11.5	1135 00 78 2
25	74	57	4 x Ø9	11.5	1135 00 79 2
32	82	65	4 x Ø9	11.5	1135 00 80 2
40	88	71	4 x Ø9	11.5	1135 00 81 2
50	103	95	4 x Ø9	11.5	1135 00 82 2
65	125	104	8 x Ø11	13.5	1135 00 83 2
80	137	116	8 x Ø11	13.5	1135 00 84 2
100	168	146	8 x Ø11	15.5	1135 00 85 2

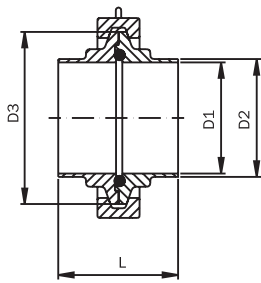
Hygienic DIN11853-2 (series B) ISO Flanged Connection



Blind Male ISO						
Size mm DN	D3	LK		L	Weight [kg]	AISI 316L Article No.
8	54	37	4 x Ø 9	10	0.16	1137 00 75 2
10	59	42	4 x Ø 9	10	0.19	1137 00 76 2
15	62	45	4 x Ø 9	10	0.21	1137 00 77 2
20	69	52	4 x Ø 9	10	0.26	1137 00 78 2
25	74	57	4 x Ø 9	10	0.30	1137 00 79 2
32	82	65	4 x Ø 9	10	0.37	1137 00 80 2
40	88	71	4 x Ø 9	10	0.42	1137 00 81 2
50	103	95	4 x Ø 9	10	0.59	1137 00 82 2
65	125	104	8 x Ø 11	12	1.01	1137 00 83 2
80	137	116	8 x Ø 11	12	1.22	1137 00 84 2
100	168	146	8 x Ø 11	14	2.21	1137 00 85 2

WE CAN OFFER A FULL RANGE OF UNION PARTS VIA AWH - PLEASE CONTACT OUR SALES DEPARTMENT ON (0044) 1952 583999 or Email sales@neumo.co.uk

Hygienic DIN11853-2 (series B) ISO Clamp Connection



Is delivered in parts!

Clamp ISO

Size mm DN	D1	D2	D3	L	Weight [kg]	AISI 304 Article No.	AISI 316L Article No.
8	10.3	13.5	34	44	0.04	119K 00 75 1/1	119K 00 75 2/1
10	14	17.2	34	44	0.18	119K 00 76 1/1	119K 00 76 2/1
15	18.1	21.3	34	44	0.22	119K 00 77 1/1	119K 00 77 2/1
20	23.7	26.9	50.5	44	0.47	119K 00 78 1/1	119K 00 78 2/1
25	29.7	33.7	50.5	48	0.46	119K 00 79 1/1	119K 00 79 2/1
32	38.4	42.4	64	48	0.50	119K 00 80 1/1	119K 00 80 2/1
40	44.3	48.3	64	50	0.60	119K 00 81 1/1	119K 00 81 2/1
50	56.3	60.3	91	54	0.81	119K 00 82 1/1	119K 00 82 2/1
65	72.1	76.1	106	57	1.04	119K 00 83 1/1	119K 00 83 2/1
80	84.3	88.9	119	62	1.25	119K 00 84 1/1	119K 00 84 2/1

Nut ISO

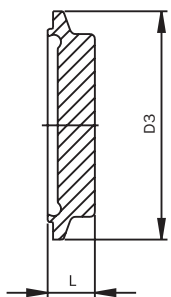
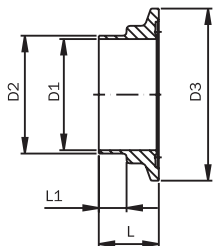
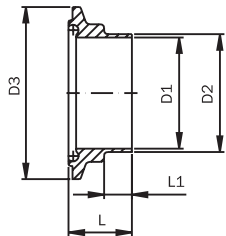
Size mm DN	D1	D2	D3	L	L1	Weight [kg]	AISI 304 Article No.	AISI 316L Article No.
8	10.3	13.5	34	23.5	10	0.04	1194 00 75 1	1194 00 75 2
10	14	17.2	34	23.5	10	0.04	1194 00 76 1	1194 00 76 2
15	18.1	21.3	34	23.5	10	0.08	1194 00 77 1	1194 00 77 2
20	23.7	26.9	50.5	23.5	10	0.08	1194 00 78 1	1194 00 78 2
25	29.7	33.7	50.5	25.5	10	0.07	1194 00 79 1	1194 00 79 2
32	38.4	42.4	64	25.5	10	0.11	1194 00 80 1	1194 00 80 2
40	44.3	48.3	64	26.5	10	0.14	1194 00 81 1	1194 00 81 2
50	56.3	60.3	91	28.5	10	0.19	1194 00 82 1	1194 00 82 2
65	72.1	76.1	106	30	10	0.24	1194 00 83 1	1194 00 83 2
80	84.3	88.9	119	32.5	10	0.29	1194 00 84 1	1194 00 84 2

Liner ISO

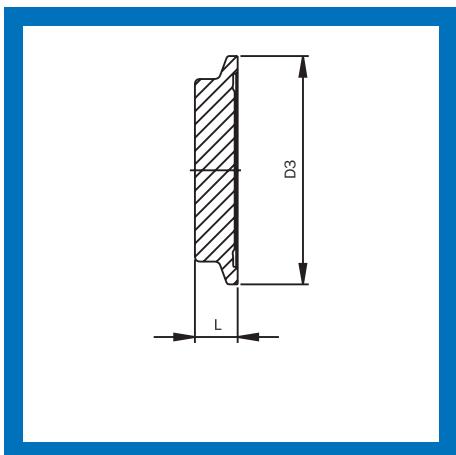
Size mm DN	D1	D2	D3	L	L1	Weight [kg]	AISI 304 Article No.	AISI 316L Article No.
8	10.3	13.5	34	22	10	0.03	1192 00 75 1	1192 00 75 2
10	14	17.2	34	22	10	0.03	1192 00 76 1	1192 00 76 2
15	18.1	21.3	34	22	10	0.02	1192 00 77 1	1192 00 77 2
20	23.7	26.9	50.5	22	10	0.06	1192 00 78 1	1192 00 78 2
25	29.7	33.7	50.5	24	10	0.05	1192 00 79 1	1192 00 79 2
32	38.4	42.4	64	24	10	0.08	1192 00 80 1	1192 00 80 2
40	44.3	48.3	64	25	10	0.07	1192 00 81 1	1192 00 81 2
50	56.3	60.3	91	27	10	0.17	1192 00 82 1	1192 00 82 2
65	72.1	76.1	106	28.5	10	0.22	1192 00 83 1	1192 00 83 2
80	84.3	88.9	119	31	10	0.28	1192 00 84 1	1192 00 84 2

Blind Nut ISO

Size mm DN	D3	L	Weight [kg]	AISI 316L Article No.
8	34	13	0.04	1196 00 75 2
10	34	13	0.04	1196 00 76 2
15	34	13	0.10	1196 00 77 2
20	50.5	13	0.10	1196 00 78 2
25	50.5	13	0.10	1196 00 79 2
32	64	13	0.15	1196 00 80 2
40	64	13	0.22	1196 00 81 2
50	91	15	0.29	1196 00 82 2
65	106	15	0.41	1196 00 83 2
80	119	15	0.53	1196 00 84 2



Hygienic DIN11853-2 (series B) ISO Clamp Connection



Blind Liner ISO				
Size mm DN	D3	L	Weight [kg]	AISI 316L Article No.
8	34	11.5	0.04	1195 00 75 2
10	34	11.5	0.04	1195 00 76 2
15	34	11.5	0.10	1195 00 77 2
20	50.5	11.5	0.10	1195 00 78 2
25	50.5	11.5	0.10	1195 00 79 2
32	64	11.5	0.15	1195 00 80 2
40	64	11.5	0.22	1195 00 81 2
50	91	13.5	0.29	1195 00 82 2
65	106	13.5	0.41	1195 00 83 2
80	119	13.5	0.53	1195 00 84 2

WE CAN OFFER A FULL RANGE OF UNION PARTS VIA AWH - PLEASE CONTACT OUR SALES DEPARTMENT ON (0044) 1952 583999 or Email sales@neumo.co.uk

Technical Information

Name	EPDM (Ethylene-Propylene- Dienemonomers)	FKM (Viton®)	PTFE (Polytetrafluorethylene)
Material description	propylene and a minor share of diene	polymer from vinylidene fluoride	Thermoplastic polymer made of tetrafluorethylene
Application temperature	permanent application at minus 40 °C to 140 °C	permanent application at minus 20 °C to 200 °C	Physiologically harmless up to 200 °C, applicable from -200 °C up to +260 °C
other upon request	in situations of mechanical strain: steam sterilizable up to 140 °C strain up 0 °C to 140 °C	in situations of mechanical strain: steam sterilizable shortly up to 130 °C strain up 0 °C to 150 °C	in situations of mechanical strain: strain up 0 °C to 140 °C
typical fields of application	good swelling resistance at:	good swelling resistance at:	good swelling resistance for nearly all parts
	<ul style="list-style-type: none"> • diluted inorganic and organic acids, bases, polar organic media, media with oxidizing effects, alkaline solutions and ketones 	<ul style="list-style-type: none"> • mineral oils • vegetable and animal oils 	Smooth surface and repellent, thus no adherence of residues
	<ul style="list-style-type: none"> • in hot water and steam up to 130 °C 	<ul style="list-style-type: none"> • fats (also particular additives) 	chemical resistance better than with all other elastomers
	good resistance to ozone, ageing and weathering	<ul style="list-style-type: none"> • aliphatic and aromatic hydrocarbons • fuels 	very good friction values compared to counterface materials <ul style="list-style-type: none"> • hardly flammable
application limits	not applicable for: <ul style="list-style-type: none"> • vegetable and animal oils 	strong swelling with: <ul style="list-style-type: none"> • polar solvents such as acetone, methylketone, ethyl acetate, diethylether 	not resistant to: <ul style="list-style-type: none"> • liquid alkali metals and some fluorine compounds in connection with high pressure and temperature
	<ul style="list-style-type: none"> • aliphatic, aromatic and chlorinated hydrocarbons 	<ul style="list-style-type: none"> • low-molecular organic acids (formic and acetic acids) 	very high differences regarding thermal expansion compared to metallic materials
	<ul style="list-style-type: none"> • mineral oils 	<ul style="list-style-type: none"> • ammonia gases, amines 	special constructions required
		<ul style="list-style-type: none"> • alkalines 	low abrasion resistance
		<ul style="list-style-type: none"> • dioxanes 	no elastomer
		<ul style="list-style-type: none"> • superheated steam 	
Approval for material	EG VO 1935/2004	EG VO 1935/2004	EG VO 1935/2004
	FDA	FDA	FDA
	3-A	3-A	3-A
	USP Class VI	USP Class VI	USP Class VI

Technical Information

Pressure Ranges

Unions acc. to DIN 11864-1/DIN 11853-1 are designed for the following pressure values:

for tubes acc. to DIN 11866, series A to C	
Outer pipe diameter	Pressure
12,7 mm - 41 mm	4,0 MPa (40 bar)
42,4 mm - 104 mm	2,5 MPa (25 bar)

Flange connections acc. to DIN 11864-2/DIN 11853-2 are designed for the following pressure values:

for tubes acc. to DIN 11866, series A to C	
Outer pipe diameter	Pressure
12,7 mm - 41 mm	2,5 MPa (25 bar)
42,4 mm - 104 mm	1,6 MPa (16 bar)
114,3 mm - 154 mm	1,0 MPa (10 bar)

Clamp connections acc. to DIN 11864-3/DIN 11853-3 are designed for the following pressure values:

for tubes acc. to DIN 11866, series A to C	
Outer pipe diameter	Pressure
12,7 mm - 41 mm	4,0 MPa (40 bar)
42,4 mm - 70 mm	2,5 MPa (25 bar)
76,1 mm - 104 mm	1,6 MPa (16 bar)

These pressure values in Mpa (bar) serve as limit values for suitable sealing materials up to 140 °C.

Design Lengths acc. to DIN 11864 and DIN 11853

AWH offers two lengths:

- the long version acc. to DIN 11864: with pipe connection for orbital welding
- the short version acc. to DIN 11853: for compact system concepts, orbital weldable, but only with special equipment

Material from DIN 11864 and DIN 11853 acc. to DIN EN 10088-1 and -3

AWH manufactures components of DIN 11864 as a standard in grade 1.4404 acc. to DIN EN 10088-1 and -3.

Components of DIN 11853 are manufactured in grades 1.4301 and 1.4404 acc. to DIN EN 10088-1 and -3.

Further grades, as indicated in DIN 11864 and DIN 11853, are available upon request.

Surfaces

Surfaces are manufactured according to DIN 11864 and DIN 11853 Standard hygienic class H3 (media-affected inner surfaces average surface finish $RA \leq 0,8 \mu\text{m}$, external surfaces average surface finish $RA \leq 1,6 \mu\text{m}$). The welding areas of the edges of a workpiece are manufactured according to DIN ISO 13715. Further hygienic classes can be arranged separately according to DIN 11864 table 14 and DIN 11853 table 11. Other surfaces, such as electro-polished, blasted or veiled surfaces can be manufactured upon request.

Pipe Connections according to:

1. DIN EN 10357:2013: Austenitic, austenitic-ferritic and ferritic longitudinally welded stainless steel tubes for the food and chemical industry
2. DIN EN ISO 1127: Stainless steel pipes
3. ISO 2037: Metal pipes and fittings - Stainless steel tubes for the food industry
4. ASME BPE 2009: Bioprocessing equipment
5. DIN 11866: Pipes made of stainless steel for the aseptic, chemical and pharmaceutical industry