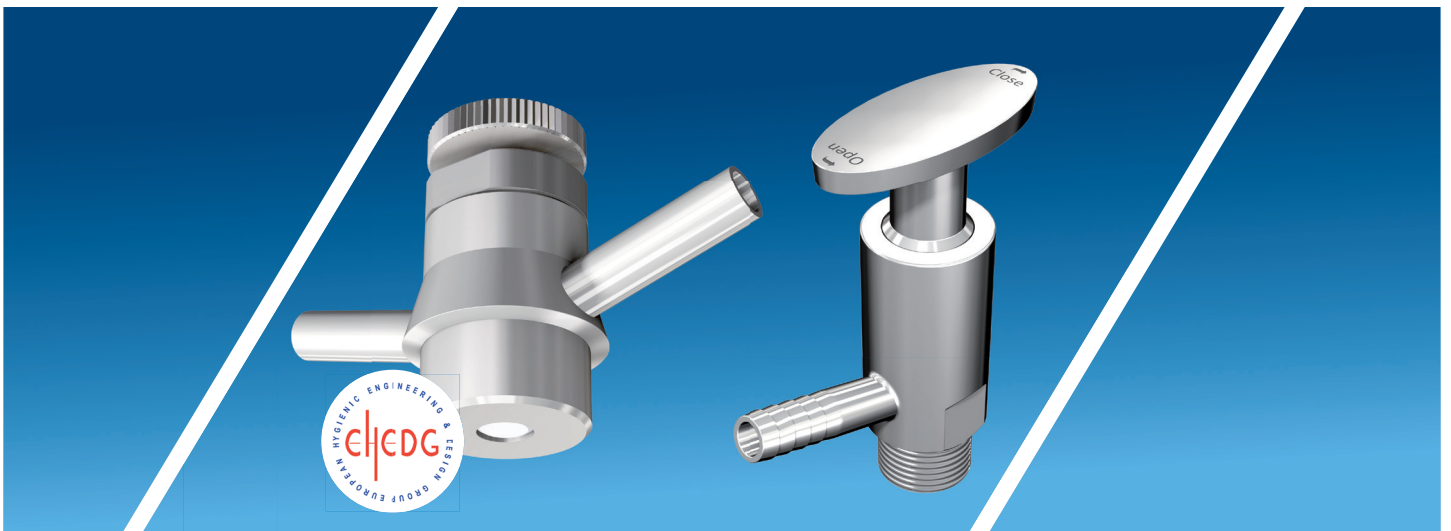


Data Sheet Sampling Valves



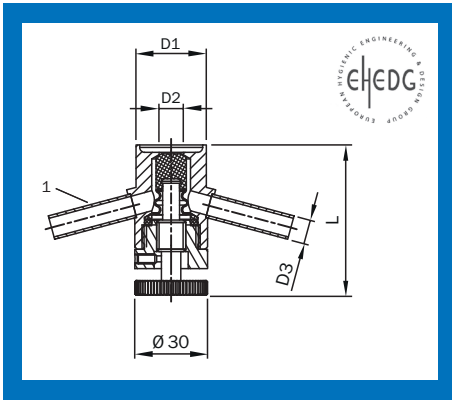
General

We make hygiene affordable. A claim that is now backed up by the enhanced AWH sampling valve. When it comes to determining taste, appearance, and microbiological and chemical values, taking accurate samples is paramount.

Our **EHEDG-certified sampling valve** was specially designed for this purpose. An EHEDG inspection certificate further underlines how easy it is to clean, meaning your products will not be contaminated when used properly.

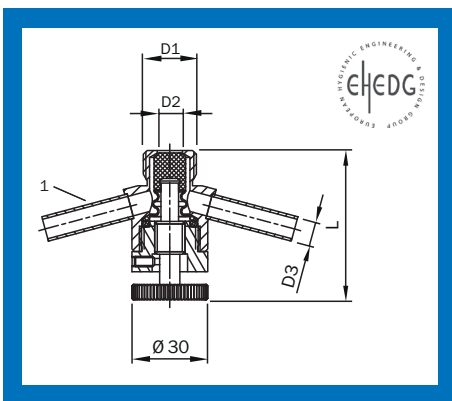
The AWH sampling valve comes in four different versions with a variety of connection types for a wide range of applications, whether in the weld-in, weld-on, screw-in or clamp version.

The AWH ECO is the basic valve of the AWH portfolio at a reasonable price. Suitable for sampling of liquids from vessels and tubes in food and beverage applications. The AWH ECO is available with weld on or screw in version fitting. It is sealed via a PTFE stopper ending close to the product.



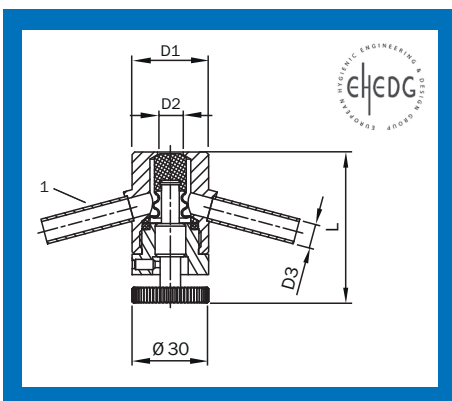
Sampling Valve Pipe Connection

D1	D2	D3	L	Weight [kg]	1.4404 (316L)		1.4404 (316L)/ with rinsing connection	
					Price/EUR	Article No.	Price/EUR	Article No.
29 x 1.5	10	10 x 1	62	0.31	105,00	4130 43 002	133,50	4130 43 202
1 - optional rinsing connection								



Sampling Valve Thread Connection

D1	D2	D3	L	Weight [kg]	1.4404 (316L)		1.4404 (316L)/ with rinsing connection	
					Price/EUR	Article No.	Price/EUR	Article No.
G 1/2"	10	10 x 1	59	0.31	105,00	4131 01 002	133,50	4131 01 202
1 - optional rinsing connection								



Sampling Valve Tank Port

D1	D2	D3	L	Weight [kg]	1.4404 (316L)		1.4404 (316L)/ with rinsing connection	
					Price/EUR	Article No.	Price/EUR	Article No.
30	10	10 x 1	59	0.31	105,00	4132 01 002	133,50	4132 01 202
1 - optional rinsing connection								

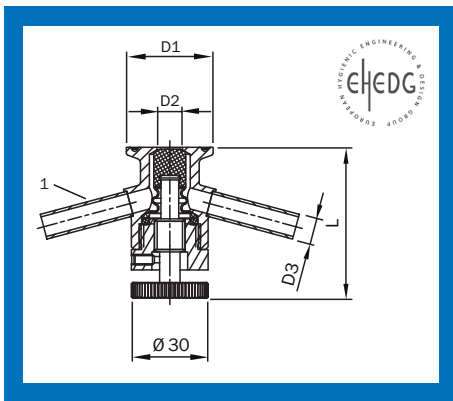
Technical Data

Materials: contact with product: 1.4404 (316L), no contact with product: 1.4307 (304L)
Surfaces: contact with product: Ra ≤ 0.8 µm
Operating pressure: max. 10 bar / 145 psi
Operating temperature: max. 80°C / 176°F, SIP/CIP-capable, up to max. 135°C / 266°F, unswitched
Actuation: manual

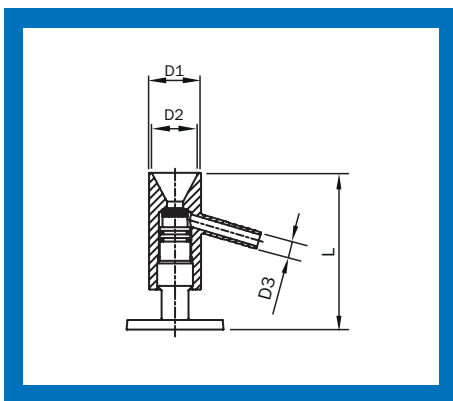
Seal: Sampling valve: PTFE bellow
 ECO sampling valve: PTFE plug / EPDM O-Ring

Product sampling connection and steam rinse connection (optional): DN8 (10 x 1 mm) pipe, other connection types available upon request

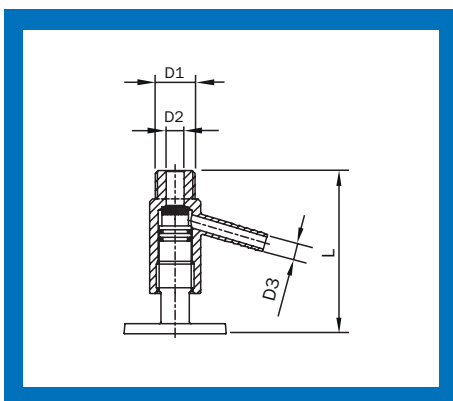
Product sampling: ECO sampling valve: hose connection (AD 10 mm), inside diameter approx.6.5 mm



Sampling Valve Clamp Connection								
D1	D2	D3	L	Weight [kg]	1.4404 (316L)		1.4404 (316L)/ with rinsing connection	
					Price/EUR	Article No.	Price/EUR	Article No.
34	10	10 x 1	59	0.36	138,50	4134 01 002	167,00	4134 01 202
1 - optional rinsing connection								



ECO Sampling Valve Pipe Connection								
D1	D2	D3	L	Weight [kg]	1.4404 (316L)			
					Price/EUR	Article No.	Price/EUR	Article No.
29	26	10	87.5	0.36	59,80	4150 05 002		



ECO Sampling Valve Thread Connection								
D1	D2	D3	L	Weight [kg]	1.4404 (316L)			
					Price/EUR	Article No.	Price/EUR	Article No.
G 1/2"	9.5	10	87.5	0.31	59,80	4151 01 002		



Armaturenwerk Hötensleben GmbH
Schulstr. 5-6
D-39393 Hötensleben

Tel.: +49 39405 92-0
Fax: +49 39405 92-111
e-mail: info@awh.eu
<http://www.awh.eu>

NEUMO Ehrenberg Group

