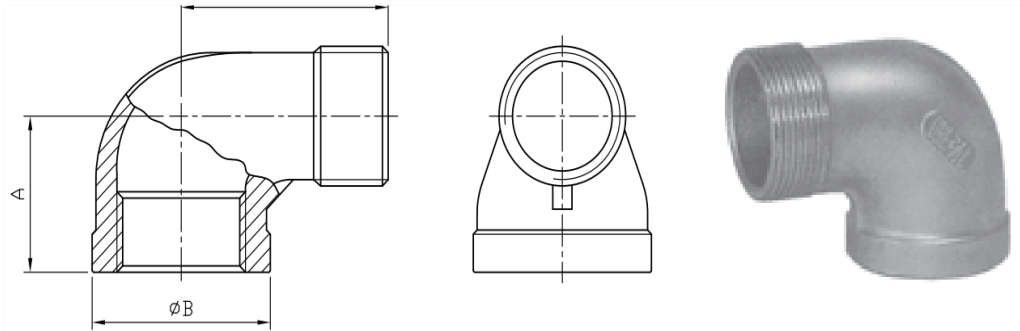


BSP 90 DEGREE ELBOWS M/F

316 CLASS 150LB



Size	A	B	Weight	Item
1/8"	19.00	17.00	0.02	24186
1/4"	21.50	21.00	0.04	24187
3/8"	24.50	24.00	0.05	24188
1/2"	29.00	28.00	0.08	24189
3/4"	33.50	34.50	0.13	24190
1"	37.00	41.00	0.21	24191
1 1/4"	43.00	51.00	0.36	24192
1 1/2"	47.00	57.00	0.42	24193
2"	57.50	69.00	0.60	24194
2 1/2"	66.00	83.00	1.45	24195
3"	74.00	102.50	1.53	24196
4"	90.00	128.50	1.95	24197

Please contact sales team if Dimensions are critical - Dimensions are Indicative