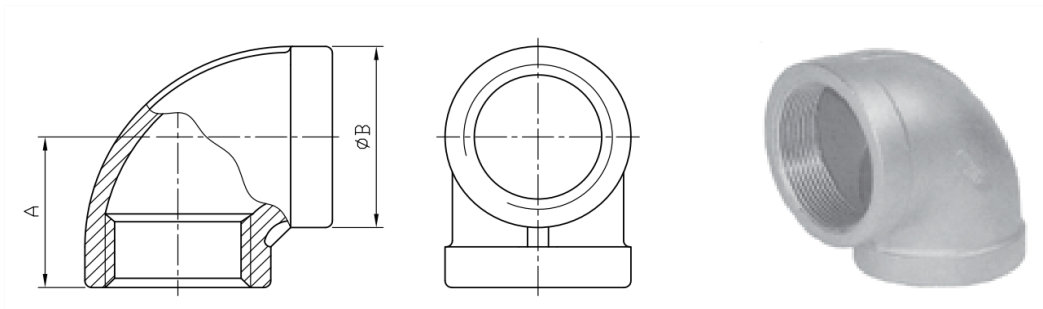


## BSP 90 DEGREE ELBOWS F/F 316 CLASS 150LB

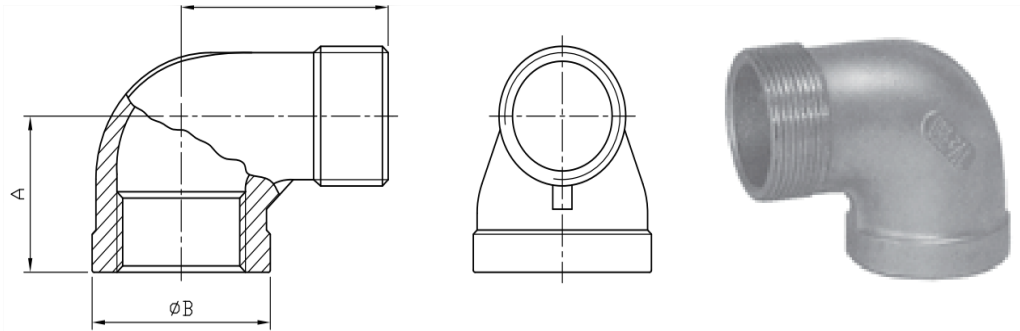


Size	A	B	Weight	Item
1/8"	17.00	15.50	0.02	10236
1/4"	19.00	18.80	0.04	10237
3/8"	21.50	22.50	0.04	10238
1/2"	27.00	25.50	0.08	10239
3/4"	30.00	31.60	0.10	10240
1"	35.00	41.20	0.18	10241
1 1/4"	43.00	48.50	0.25	10242
1 1/2"	45.00	54.90	0.30	10243
2"	54.00	67.40	0.50	10244
2 1/2"	69.00	83.60	0.87	10245
3"	72.00	101.00	1.23	10246
4"	87.00	126.00	1.60	10247

Please contact sales team if Dimensions are critical - Dimensions are Indicative

## BSP 90 DEGREE ELBOWS M/F

### 316 CLASS 150LB

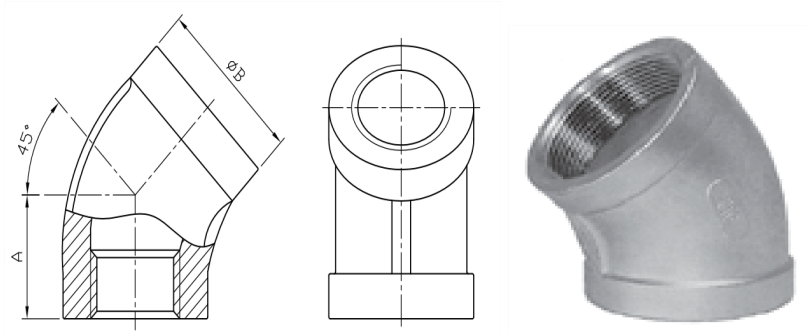


Size	A	B	Weight	Item
1/8"	19.00	17.00	0.02	24186
1/4"	21.50	21.00	0.04	24187
3/8"	24.50	24.00	0.05	24188
1/2"	29.00	28.00	0.08	24189
3/4"	33.50	34.50	0.13	24190
1"	37.00	41.00	0.21	24191
1 1/4"	43.00	51.00	0.36	24192
1 1/2"	47.00	57.00	0.42	24193
2"	57.50	69.00	0.60	24194
2 1/2"	66.00	83.00	1.45	24195
3"	74.00	102.50	1.53	24196
4"	90.00	128.50	1.95	24197

Please contact sales team if Dimensions are critical - Dimensions are Indicative

## BSP 45 DEGREE ELBOWS F/F

### 316 CLASS 150LB



Size	A	B	Weight	Item
1/8"	19.00	16.00	0.04	24200
1/4"	19.00	18.40	0.04	24201
3/8"	18.00	22.00	0.05	24202
1/2"	20.00	28.80	0.08	24203
3/4"	24.00	32.00	0.13	24204
1"	29.00	42.00	0.20	24205
1 1/4"	31.50	48.40	0.30	24206
1 1/2"	36.50	57.00	0.38	24207
2"	41.50	70.00	0.57	24208
2 1/2"	57.00	87.50	1.02	24209
3"	52.00	101.00	1.08	24210
4"	63.50	127.50	1.30	24211

Please contact sales team if Dimensions are critical - Dimensions are Indicative