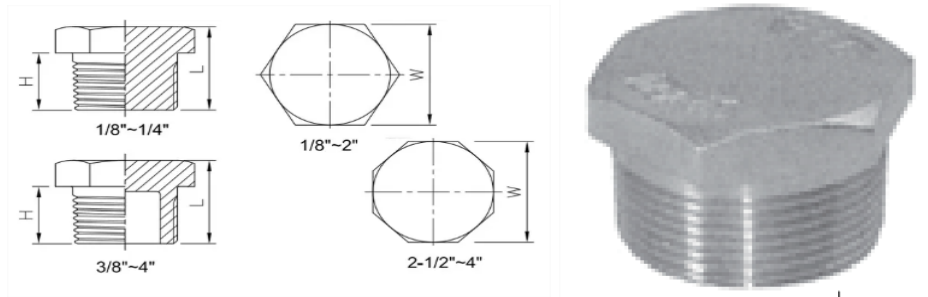


BSP HEX PLUGS

316 CLASS 150LB

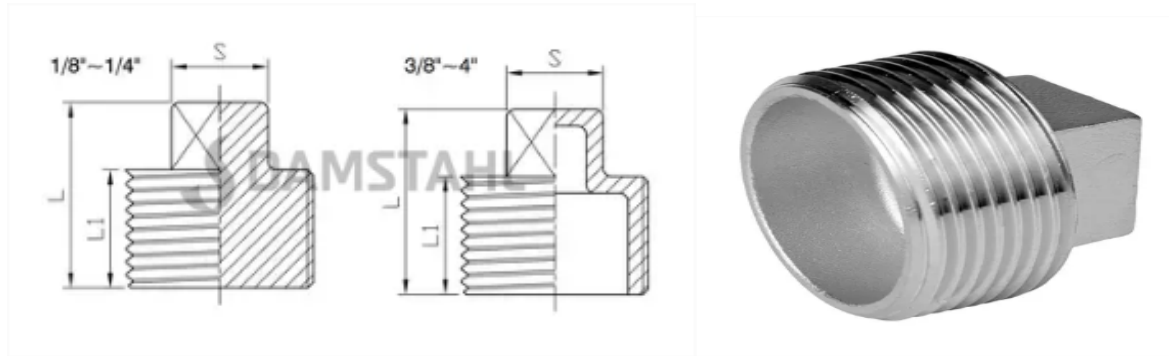


Size	H	L	W	Weight	Item
1/8"	10.00	16.00	13.50	0.01	24016
1/4"	12.00	18.00	16.50	0.02	24017
3/8"	13.50	19.50	19.50	0.03	24018
1/2"	16.00	22.60	25.00	0.04	24019
3/4"	16.5	23.50	30.00	0.06	24020
1"	19.00	27.00	36.50	0.09	24021
1 1/4"	21.50	31.00	45.50	0.16	24022
1 1/2"	21.50	31.00	51.50	0.20	24023
2"	23.00	34.00	63.50	0.31	24024
2 1/2"	29.50	40.50	79.50	0.58	24025
3"	30.00	41.50	79.50	0.68	24026

Please contact sales team if Dimensions are critical - Dimensions are Indicative

BSP SQUARE PLUGS

316 CLASS 150LB



Size	L	L1	S	Weight	Item
1/8"	33.00	20.00	19.00	0.01	24000
1/4"	20.00	12.00	8.00	0.02	24001
3/8"	20.00	12.00	10.00	0.02	24002
1/2"	26.50	15.50	16.00	0.04	24003
3/4"	26.50	15.50	16.00	0.05	24004
1"	33.00	20.00	19.00	0.08	24005
1 1/4"	35.00	20.00	22.00	0.11	24006
1 1/2"	35.00	20.00	25.00	0.16	24007
2"	40.00	23.00	29.00	0.23	24008
2 1/2"	47.00	26.50	39.00	0.36	24009
3"	47.00	27.00	44.00	0.52	24010

Please contact sales team if Dimensions are critical - Dimensions are Indicative