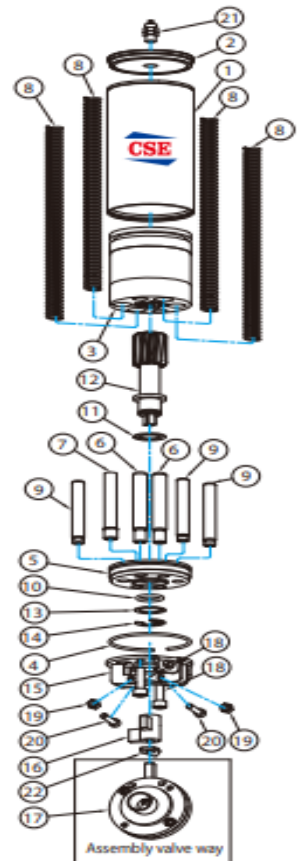
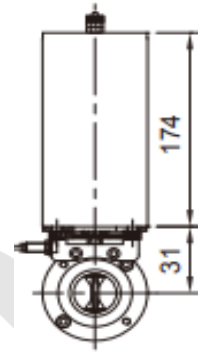


CSE AUTO CONTROL ACTUATOR C3 MAX OUTPUT TORQUE 20N/M

Operation Instruction:

1. C3 Actuator apply to butterfly valve in size 1"-3" of the disc head DIA. 12mm X 8mm. (other size can be required)
2. Signal transfer: can be connect with M12 screw proximity switch.
3. Air/Air (double effect) actuator or air/spring (simple effect) actuator are available.
4. Accessories: adapter: 1pc ; M6 X 35 screw: 2pcs ; washer: 4pcs ; M6 nut: 2pcs ; 1/8PT quick coupler: 1pc

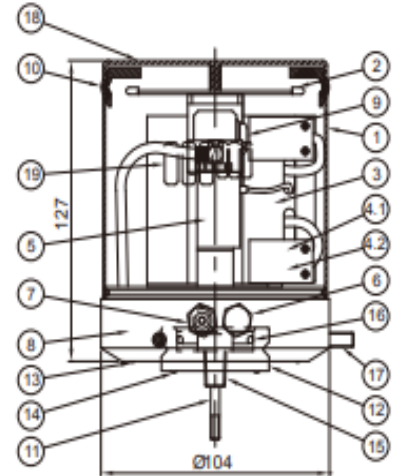


Parts List			
Item	Parts name	Q'TY	Material
1	St. St. cylinder	1	St. St. 304
2	St. St. cylinder	1	St. St. 304
3	Piston stem	1	Tenac 4010/SH410
4	Lock wire clip	1	St. St. 304
5	Lower cylinder end	1	St. St. 304
6	Piston guide part	2	St. St. 304
7	Piston guide part	1	St. St. 304
8	Compress spring	4	St. St. 304
9	Piston guide part	3	St. St. 304
10	Piston axle O-ring	1	Teflon
11	Teflon gasket	1	Teflon
12	Coupling axle piece	1	St. St. 304
13	Contact seal	1	St. St. 304
14	Circlip	1	St. St. 304
15	Mounting bracket	1	St. St. 304
16	Connection piece	1	St. St. 304
17	Assembly valve way	1	St. St. 304/316(L)
18	M8x12 ST. ST. screw	2	St. St. 304
19	M6 Nut	2	St. St. 304
20	M6x35 ST. ST. screw	2	St. St. 304
21	Air connection	1	Copper
22	Positioning index	1	St. St. 304

* Replacement Seals Available, EPDM and Viton

CSE CONTROL BOX FOR C3 ACTUATOR

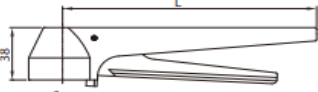
Parts List			
Item	Parts name	Q'TY	Material
1	Cover	1	St.St 304
2	LED Light	1	
3	Switch bracket	1	St.St 304
4.1	Proximity sensor	2	3A 125VAC. 30VDC
4.2	Micro switch	2	3A 125VAC. 30VDC
5	Electrovalve	1	DC24 3.0W AC110V AC220V
6	E/N connect piece	1	St.St 304
7	Air connection	1	Cu
8	Air manifold	1	P.O.M St.St 304
9	Contact head	1	St.St 304
10	Light screen	1	PC
11	Senser pin	1	St.St 304
12	Plate	1	St.St 304
13	O-Ring	1	NBR
14	O-Ring	1	NBR
15	Adapter (3/8" NPT)	1	St.St 304
16	O-Ring	1	NBR
17	Set screw	3	St.St 304
18	Top cover	1	St.St 304/PE
19	PCB board	1	



* Replacement Seals Available, EPDM and Viton

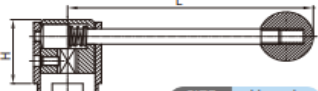
SPARE HANDLES

GRIPPER HANDLE 12 POSITION-G12
(NYLON & STAINLESS)



Type	L
ST.ST	159
plastic	167

PULL HANDLE 4 POSITION-P4



SIZE	H	L
1.0"~3.0"	41.7	145
4.0"	41.7	175
6.0"	52.5	212.5

Can fit 9.5x9.5 and Ø12x8 or 12x12