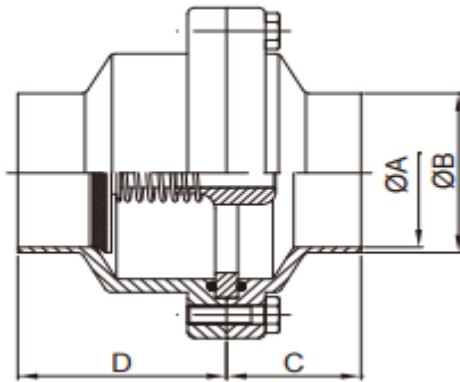
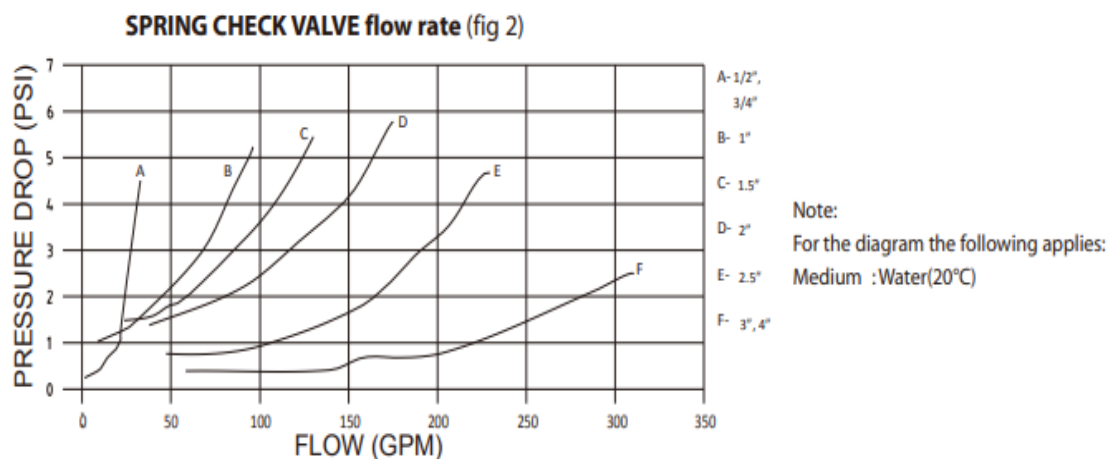


STAINLESS STEEL CSE NON-RETURN VALVE (CHECK VALVE) 316L Middle Flange Type Weld Ends EPDM Seal

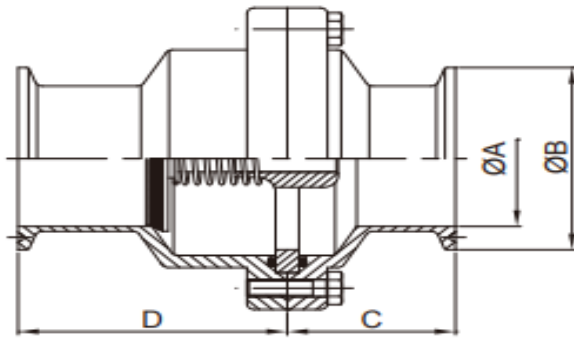


Size	A	B	C	D	Weight (Kgs)	Item No.
1/2"	9.40	12.70	23.00	34.00	0.25	32290
3/4"	15.75	19.05	23.00	34.00	0.35	32291
1"	22.10	25.40	38.00	59.00	1.06	32292
1 1/2"	34.80	38.10	38.00	59.00	1.45	32293
2"	47.50	50.80	38.00	59.00	1.62	32294
2 1/2"	60.20	63.50	38.00	59.00	2.24	32295
3"	72.90	76.20	38.00	59.00	2.52	32296
4"	97.60	101.60	44.00	50.00	3.52	32297

Please contact sales team if Dimensions are critical - Dimensions are Indicative
 * Replacement Seal Kits available in EPDM and FKM (Viton)



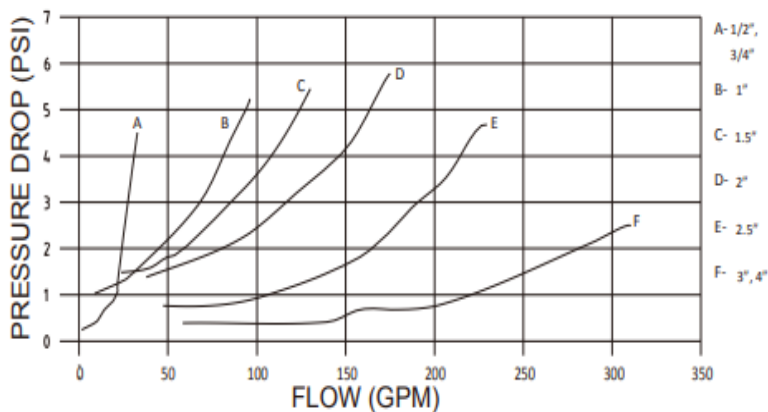
STAINLESS STEEL CSE NON-RETURN VALVE (CHECK VALVE) 316L Middle Flange Type Ferrule Ends EPDM Seal



Size	A	B	C	D	Weight (Kgs)	Item No.
1/2"	9.40	25.20	28.50	39.50	0.28	32298
3/4"	15.75	25.20	28.50	39.50	0.36	32299
1"	22.10	50.50	42.00	59.00	1.06	32300
1 1/2"	34.80	50.50	42.00	59.00	1.50	32301
2"	47.50	64.00	42.00	59.00	1.83	32302
2 1/2"	60.20	77.50	42.00	59.00	2.50	32303
3"	72.90	91.00	42.00	59.00	2.80	32304
4"	97.60	119.00	56.70	62.60	3.80	32305

Please contact sales team if Dimensions are critical - Dimensions are Indicative
 * Replacement Seal Kits available in EPDM and FKM (Viton)

SPRING CHECK VALVE flow rate (fig 2)



Note:
 For the diagram the following applies:
 Medium : Water(20°C)