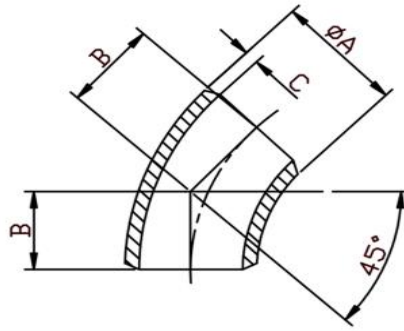


ASTM A403 / ASME B16.9 BUTT WELD 45 DEGREE ELBOWS



SCHEDULE 10						
Size	A	B	C	Kg/PC	316L	304L
1/2"	21.30	15.70	2.11	0.03	28400	28300
3/4"	26.67	19.10	2.11	0.03	28401	28301
1"	33.40	22.40	2.77	0.09	28402	28302
1 1/4"	42.16	25.40	2.77	0.11	28403	28303
1 1/2"	48.30	28.40	2.77	0.17	28404	28304
2"	60.30	35.10	2.77	0.25	28405	28305
2 1/2"	73.03	44.40	3.05	0.48	28406	28306
3"	88.90	50.80	3.05	0.63	28407	28307
4"	114.30	63.50	3.05	1.08	28408	28308
5"	141.30	79.20	3.40	1.81	28409	28309
6"	168.30	95.20	3.40	2.72	28410	28310
8"	219.08	127.00	3.76	5.33	28411	28311
10"	273.10	159.00	4.19	9.75	28412	28312
12"	323.90	190.50	4.57	13.61	28413	28313

SCHEDULE 40						
Size	A	B	C	Kg/PC	316L	304L
1/2"	21.30	15.70	2.77	0.04	28450	28350
3/4"	26.67	19.10	2.87	0.05	28451	28351
1"	33.40	22.40	3.38	0.11	28452	28352
1 1/4"	42.16	25.40	3.56	0.17	28453	28353
1 1/2"	48.30	28.40	3.68	0.23	28454	28354
2"	60.30	35.10	3.91	0.40	28455	28355
2 1/2"	73.03	44.40	5.16	0.77	28456	28356
3"	88.90	50.80	5.49	1.08	28457	28357
4"	114.30	63.50	6.02	2.09	28458	28358
5"	141.30	79.20	6.55	3.43	28459	28359
6"	168.30	95.20	7.11	5.44	28460	28360
8"	219.08	127.00	8.18	10.77	28461	28361
10"	273.10	159.00	9.27	19.28	28462	28362
12"	323.90	190.50	10.31	29.71	28463	28363

Please contact sales team if Dimensions are critical - Dimensions are Indicative