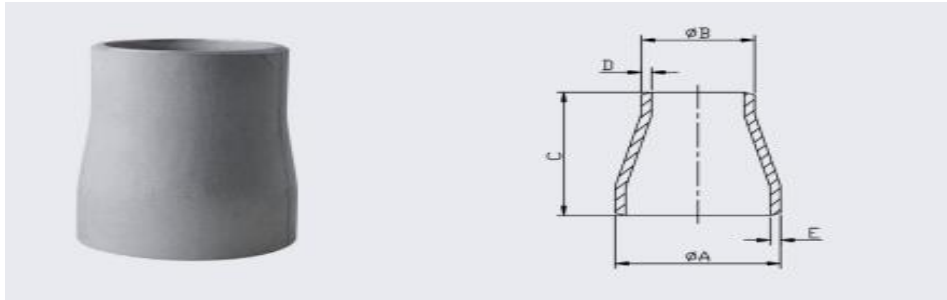


ASTM A403 / ASME B16.9 BUTT WELD CONCENTRIC REDUCERS



SCHEDULE 10							
Size	A	B	C	D	E	Kg/PC	316L
3/4" x 1/2"	26.67	21.30	38.10	2.11	2.11	0.10	28420
1" x 1/2"	33.40	21.30	50.80	2.11	2.77	0.12	28421
1" x 3/4"	33.40	26.70	50.80	2.11	2.77	0.13	28422
1 1/4" x 1/2"	42.16	21.30	50.80	2.11	2.77	0.10	36979
1 1/4" x 3/4"	42.16	26.67	50.80	2.11	2.77	0.18	36977
1 1/4" x 1"	42.16	33.40	50.80	2.77	2.77	0.18	28423
1 1/2" x 1/2"	48.30	21.30	63.50	2.11	2.77	0.20	36983
1 1/2" x 3/4"	48.30	26.67	63.50	2.11	2.77	0.20	36981
1 1/2" x 1 1/4"	48.30	42.40	63.50	2.77	2.77	0.21	28424
1 1/2" x 1"	48.30	33.40	63.50	2.77	2.77	0.21	26418
2" x 1/2"	60.30	21.30	76.20	2.11	2.77	0.21	28444
2" x 3/4"	60.30	26.67	76.20	2.11	2.77	0.25	28445
2" x 1"	60.30	33.40	76.20	2.77	2.77	0.28	26119
2" x 1 1/4"	60.30	42.16	76.20	2.77	2.77	0.30	28425
2" x 1 1/2"	60.30	48.30	76.20	2.77	2.77	0.31	26120
2 1/2" x 1"	73.03	33.40	76.20	2.77	3.05	0.43	36989
2 1/2" x 1 1/4"	73.03	42.16	76.20	2.77	3.05	0.44	36903
2 1/2" x 1 1/2"	73.03	48.30	88.90	2.77	3.05	0.44	36991
2 1/2" x 2"	73.03	60.30	88.90	2.77	3.05	0.47	28426
3" x 1"	88.90	33.40	88.90	2.77	3.05	0.49	28427
3" x 1 1/4"	88.90	42.16	88.90	2.77	3.05	0.44	36995
3" x 1 1/2"	88.90	48.30	88.90	2.77	3.05	0.51	26121
3" x 2"	88.90	60.30	88.90	2.77	3.05	0.55	28428
3" x 2 1/2"	88.90	73.03	88.90	3.05	3.05	0.59	28429
4" x 2"	114.30	60.30	101.60	2.77	3.05	0.78	28430
4" x 2 1/2"	114.30	73.03	101.60	3.05	3.05	0.83	28431
4" x 3"	114.30	88.90	101.60	3.05	3.05	0.87	28432
5" x 4"	141.30	114.30	127.00	3.05	3.40	1.49	28433
5" x 3"	141.30	88.90	127.00	3.05	3.40	1.45	37011
5" x 2 1/2"	141.30	73.03	127.00	3.05	3.40	1.35	37009
5" x 2"	141.30	60.30	127.00	2.77	3.40	1.30	37007
6" x 2"	168.30	60.30	139.70	2.77	3.40	1.65	37016
6" x 2 1/2"	168.30	73.03	139.70	3.05	3.40	1.50	28443
6" x 3"	168.30	88.90	139.70	3.05	3.40	1.82	28434
6" x 4"	168.30	114.30	139.70	3.05	3.40	1.95	28435
6" x 5"	168.30	141.30	139.70	3.40	3.40	2.05	28436
8" x 4"	219.10	114.30	152.00	3.05	3.76	3.02	28437
8" x 5"	219.10	141.30	152.00	3.40	3.76	2.70	37020
8" x 6"	219.10	168.30	152.00	3.40	3.76	3.19	28438
10" x 6"	273.10	168.30	178.00	3.40	4.19	5.00	28439
10" x 8"	273.10	219.10	178.00	3.76	4.19	5.25	28440
12" x 8"	323.90	219.10	203.20	3.76	4.57	7.67	28441
12" x 10"	323.90	273.10	203.20	4.19	4.57	7.98	28442

ASTM A403 / ASME B16.9