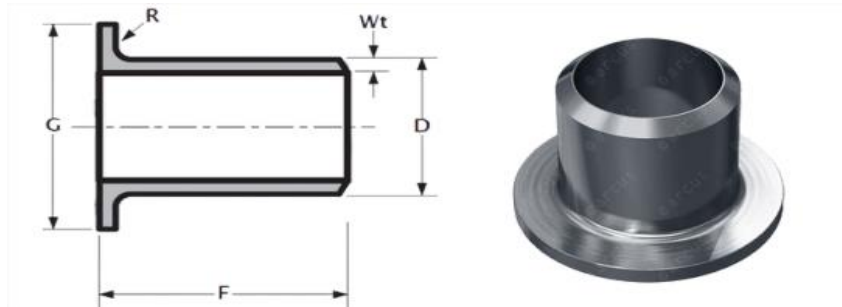


ASTM A403 / ASME B16.9 BUTT WELD STUB ENDS MSS TYPE A



| SCHEDULE 10 | | | | | | | |
|-------------|--------|--------|--------|-------|------|-------|-------|
| Size | D | G | F | R | WT | Kg/PC | 316L |
| 1/2" | 21.34 | 34.90 | 50.80 | 3.00 | 2.11 | 0.07 | 28960 |
| 3/4" | 26.67 | 42.90 | 50.80 | 3.00 | 2.11 | 0.10 | 28961 |
| 1" | 33.40 | 50.80 | 50.80 | 3.00 | 2.77 | 0.16 | 28962 |
| 1 1/4" | 42.16 | 63.50 | 50.80 | 5.00 | 2.77 | 0.22 | 28963 |
| 1 1/2" | 48.26 | 73.00 | 50.80 | 6.00 | 2.77 | 0.25 | 28964 |
| 2" | 60.33 | 92.10 | 63.50 | 8.00 | 2.77 | 0.43 | 28965 |
| 2 1/2" | 73.03 | 104.80 | 63.50 | 8.00 | 3.05 | 0.57 | 28966 |
| 3" | 88.90 | 127.00 | 63.50 | 10.00 | 3.05 | 0.73 | 28967 |
| 4" | 114.30 | 157.20 | 76.20 | 11.00 | 3.05 | 1.09 | 28968 |
| 5" | 141.30 | 185.70 | 76.20 | 11.00 | 3.40 | 1.47 | 28969 |
| 6" | 168.28 | 215.90 | 88.90 | 13.00 | 3.40 | 2.15 | 28970 |
| 8" | 219.10 | 269.90 | 101.60 | 13.00 | 3.76 | 3.60 | 28971 |
| 10" | 273.00 | 323.90 | 127.00 | 13.00 | 4.19 | 5.35 | 28972 |
| 12" | 323.00 | 381.00 | 152.40 | 13.00 | 4.57 | 8.16 | 28973 |

| SCHEDULE 40 | | | | | | | |
|-------------|--------|--------|--------|-------|------|-------|-------|
| Size | D | G | F | R | WT | Kg/PC | 316L |
| 1/2" | 21.34 | 34.90 | 50.80 | 3.00 | 2.77 | 0.09 | 28980 |
| 3/4" | 26.67 | 42.90 | 50.80 | 3.00 | 2.87 | 0.12 | 28981 |
| 1" | 33.40 | 50.80 | 50.80 | 3.00 | 3.38 | 0.17 | 28982 |
| 1 1/4" | 42.16 | 63.50 | 50.80 | 5.00 | 3.56 | 0.25 | 28983 |
| 1 1/2" | 48.26 | 73.00 | 50.80 | 6.00 | 3.68 | 0.31 | 28984 |
| 2" | 60.33 | 92.10 | 63.50 | 8.00 | 3.91 | 0.61 | 28985 |
| 2 1/2" | 73.03 | 104.80 | 63.50 | 8.00 | 5.16 | 0.80 | 28986 |
| 3" | 88.90 | 127.00 | 63.50 | 10.00 | 5.49 | 1.13 | 28987 |
| 4" | 114.30 | 157.20 | 76.20 | 11.00 | 6.02 | 1.87 | 28988 |
| 5" | 141.30 | 185.70 | 76.20 | 11.00 | 6.55 | 2.28 | 28989 |
| 6" | 168.28 | 215.90 | 88.90 | 13.00 | 7.11 | 3.57 | 28990 |
| 8" | 219.10 | 269.90 | 101.60 | 13.00 | 8.18 | 6.07 | 28991 |
| 10" | 273.00 | 323.90 | 127.00 | 13.00 | 9.27 | 10.07 | 28992 |
| 12" | 323.00 | 381.00 | 152.40 | 13.00 | 9.53 | 13.80 | 28993 |

Please contact sales team if Dimensions are critical - Dimensions are Indicative