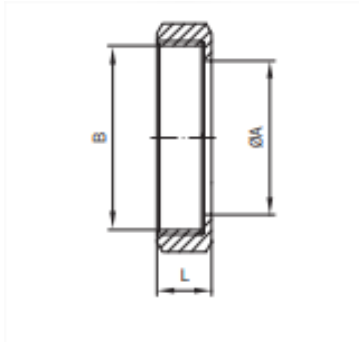


RJT UNIONS BS4825 PART 5

RJT Hexagon Nut 304



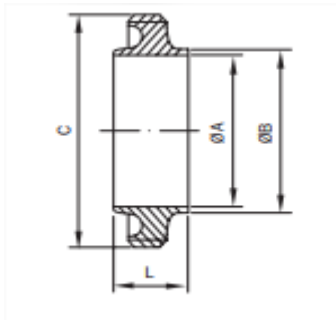
Size	A	B	L	Weight (Kgs)	Item No.
1"	33.45	42.26 X 8	22.20	0.13	26373
1 1/2"	46.00	54.96 X 8	22.20	0.18	26410
2"	58.67	67.92 X 6	22.20	0.27	26411
2 1/2"	71.40	80.62 X 6	22.20	0.33	26194
3"	84.10	93.32 X 6	22.20	0.39	26195
4"	109.70	118.72 X 6	22.20	0.50	26196

Please contact sales team if Dimensions are critical - Dimensions are Indicative

3.1 Certificates available for all Stainless Parts - All O rings supplied FDA Approved

RJT UNIONS BS4825 PART 5

RJT Male 316L, ID Ra ≤0.8



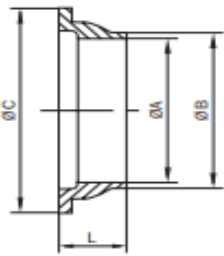
Size	A	C	B	L	Weight (Kgs)	Item No.
1"	22.10	45.72 X 8	25.40	27.00	0.12	26215
1 1/2"	34.80	58.42 X 8	38.10	27.00	0.17	26216
2"	47.50	72.72 X 6	50.80	27.00	0.25	26217
2 1/2"	60.20	85.42 X 6	63.50	27.00	0.28	26218
3"	72.90	98.12 X 6	76.20	27.00	0.33	26219
4"	97.60	123.52 X 6	101.60	27.00	0.45	26220

Please contact sales team if Dimensions are critical - Dimensions are Indicative

3.1 Certificates available for all Stainless Parts - All O rings supplied FDA Approved

RJT UNIONS BS4825 PART 5

RJT Pressed Liner 316L - ID Ra ≤0.8 - (Made from Sheet)



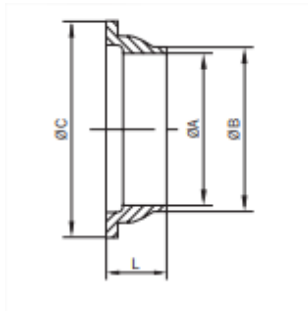
Size	A	B	C	L	Weight (Kgs)	Item No.
1"	22.20	25.40	41.30	11.60	0.01	26197
1 1/2"	34.80	38.10	54.00	11.60	0.04	26198
2"	47.50	50.80	66.70	11.60	0.05	26199
2 1/2"	60.20	63.50	79.40	11.60	0.07	26200
3"	72.90	76.20	92.10	11.60	0.08	26201
4"	97.60	101.60	117.50	11.60	0.10	26202

Please contact sales team if Dimensions are critical - Dimensions are Indicative

3.1 Certificates available for all Stainless Parts - All O rings supplied FDA Approved

RJT UNIONS BS4825 PART 5

RJT Machined Liner - ID Ra ≤ 0.8 - Part 2 - (Made from Bar)



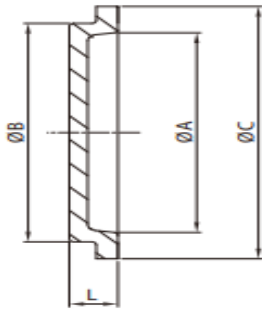
Size	A	B	C	L	Weight (Kgs)	Item No.
1"	22.20	25.40	41.30	12.7	0.04	60001
1 1/2"	34.80	38.10	54.00	12.7	0.04	60002
2"	47.50	50.80	66.70	12.7	0.07	60003
2 1/2"	60.20	63.50	79.40	12.7	0.07	60004
3"	72.90	76.20	92.10	12.7	0.10	60005
4"	97.60	101.60	117.50	12.7	0.15	60006

Please contact sales team if Dimensions are critical - Dimensions are Indicative

3.1 Certificates available for all Stainless Parts - All O rings supplied FDA Approved

RJT UNIONS BS4825 PART 5

RJT Machined Blank Liner - ID Ra ≤ 0.8 - (Made from Bar)



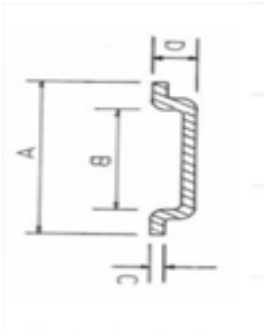
Size	A	B	C	L	Weight (Kgs)	Item No.
1"	37.80	32.50	41.30	9.00	0.06	60007
1 1/2"	40.50	45.20	54.00	9.00	0.09	60008
2"	53.20	57.90	66.70	9.00	0.14	60009
2 1/2"	65.90	70.60	79.40	9.00	0.19	60010
3"	78.20	83.30	92.10	9.00	0.25	60011
4"	104.00	108.70	117.50	9.00	0.40	60012

Please contact sales team if Dimensions are critical - Dimensions are Indicative

3.1 Certificates available for all Stainless Parts - All O rings supplied FDA Approved

RJT UNIONS BS4825 PART 5

RJT Pressed Blank Liner - ID Ra ≤0.8 - (Made from Sheet)



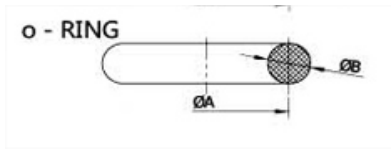
Size	A	B	C	D	Weight (Kgs)	Item No.
1"	41.30	27.80	2.50	8.30	0.03	26221
1 1/2"	54.00	40.50	2.50	8.30	0.05	26222
2"	66.70	53.20	2.50	8.30	0.08	26223
2 1/2"	79.40	65.90	2.50	8.30	0.10	26224
3"	92.10	78.60	2.50	8.30	0.15	26225
4"	117.50	104.00	2.50	8.30	0.25	26226

Please contact sales team if Dimensions are critical - Dimensions are Indicative

3.1 Certificates available for all Stainless Parts - All O rings supplied FDA Approved

RJT UNIONS BS4825 PART 5

RJT O Rings



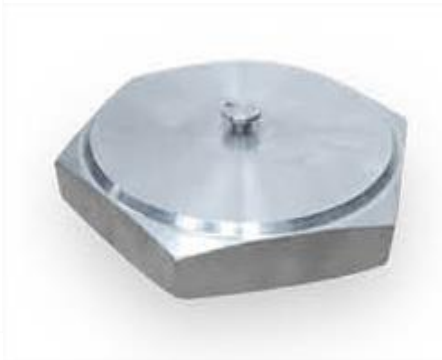
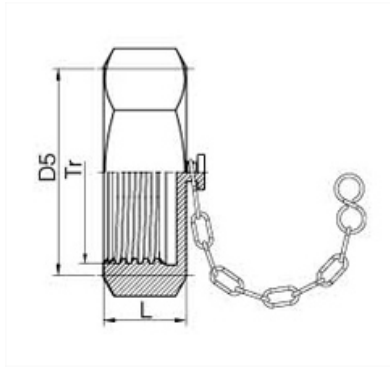
Size	A	B	Weight (Kgs)	EPDM (Black)	NBR (Blue)	VITON (Green)	Silicon (White)
1"	33.30	6.60	0.01	26209	26203	33434	33430
1 1/2"	46.00	6.60	0.01	26210	26204	33435	33431
2"	58.70	6.60	0.01	26211	26205	33436	33432
2 1/2"	71.40	6.60	0.01	26212	26206	33437	33433
3"	84.10	6.60	0.01	26213	26207	33438	33470
4"	109.50	6.60	0.01	26214	26208	33439	33435

Please contact sales team if Dimensions are critical - Dimensions are Indicative

3.1 Certificates available for all Stainless Parts - All O rings supplied FDA Approved

RJT UNIONS BS4825 PART 5

RJT Hex Nut Blank Nut and Chain 316L



Size	D5	B	L1	Weight (Kgs)	Item No.
1"	50.80	42.26 X 8	23.5	0.21	26227
1 1/2"	65.00	54.96 X 8	23.5	0.33	26228
2"	79.40	67.92 X 6	23.5	0.43	26229
2 1/2"	92.00	80.62 X 6	23.5	0.53	26230
3"	104.80	93.32 X 6	23.5	0.68	26231
4"	130.00	118.72 X 6	23.5	0.93	26232

Please contact sales team if Dimensions are critical - Dimensions are Indicative

3.1 Certificates available for all Stainless Parts - All O rings supplied FDA Approved

RJT UNIONS BS4825 PART 5

RJT Complete Union Fully Assembled with EPDM O Ring



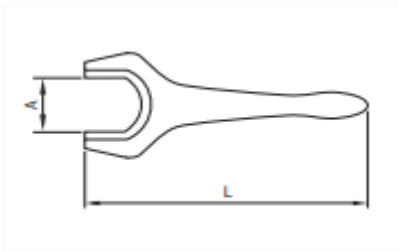
Size	Weight (Kgs)	Item No.
1"	0.40	60013
1 1/2"	0.50	60014
2"	0.60	60015
2 1/2"	0.70	60016
3"	0.80	60017
4"	1.10	60018

Please contact sales team if Dimensions are critical - Dimensions are Indicative

3.1 Certificates available for all Stainless Parts - All O rings supplied FDA Approved

RJT UNIONS BS4825 PART 5

RJT Aluminium Spanner



Size	A	L	Weight (Kgs)	Item No.
1"	51.80	240.00	0.50	26239
1 1/2"	66.00	288.00	0.61	26240
2"	80.40	300.00	0.72	26241
2 1/2"	93.20	326.00	0.94	26242
3"	106.30	440.00	1.45	26243
4"	121.50	448.00	1.56	26244

Please contact sales team if Dimensions are critical - Dimensions are Indicative

3.1 Certificates available for all Stainless Parts - All O rings supplied FDA Approved