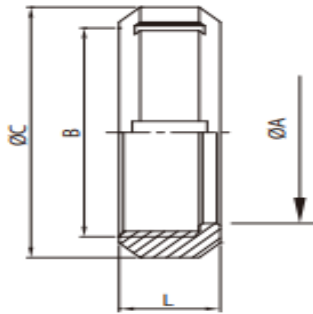


SMS UNIONS

SMS Round Nut 6 Slots 304



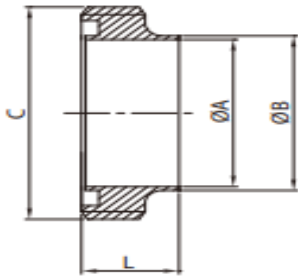
| Size | A | B | C | L | Weight (Kgs) | Item No. |
|--------|--------|-----------|--------|-------|--------------|--------------|
| 1" | 32.30 | RD40*1/6 | 51.00 | 19.00 | 0.12 | 26296 |
| 1 1/2" | 48.50 | RD60*1/6 | 74.00 | 23.00 | 0.24 | 26297 |
| 2" | 61.00 | RD70*1/6 | 84.00 | 24.00 | 0.27 | 26298 |
| 2 1/2" | 74.00 | RD85*1/6 | 100.00 | 28.00 | 0.45 | 26299 |
| 3" | 87.00 | RD98*1/6 | 114.00 | 30.00 | 0.62 | 26300 |
| 4" | 113.00 | RD125*1/4 | 138.00 | 31.00 | 0.68 | 26301 |
| 4" | 117.00 | RD132*1/6 | 150.00 | 31.00 | 1.61 | 26456 |

Please contact sales team if Dimensions are critical - Dimensions are Indicative

3.1 Certificates available for all Stainless Parts - All Seals supplied FDA Approved

SMS UNIONS

SMS Long Male 316L - ID Ra ≤0.8



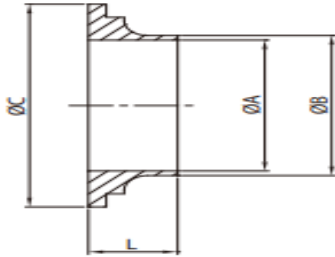
| Size | A | B | C | L | Weight (Kgs) | Item No. |
|--------|-------|--------|-----------|-------|--------------|--------------|
| 1" | 22.50 | 25.00 | RD40*1/6 | 19.00 | 0.05 | 26320 |
| 1 1/2" | 35.50 | 38.00 | RD60*1/6 | 23.00 | 0.17 | 26321 |
| 2" | 48.50 | 51.00 | RD70*1/6 | 23.00 | 0.18 | 26322 |
| 2 1/2" | 60.50 | 63.50 | RD85*1/6 | 27.00 | 0.34 | 26323 |
| 3" | 72.90 | 76.10 | RD98*1/6 | 27.00 | 0.41 | 26324 |
| 4" | 97.60 | 101.60 | RD125*1/4 | 30.00 | 0.60 | 26325 |
| 4" | 97.60 | 101.60 | RD132*1/6 | 35.00 | 1.30 | 26326 |

Please contact sales team if Dimensions are critical - Dimensions are Indicative

3.1 Certificates available for all Stainless Parts - All Seals supplied FDA Approved

SMS UNIONS

SMS Long Liner 316L - ID Ra ≤0.8



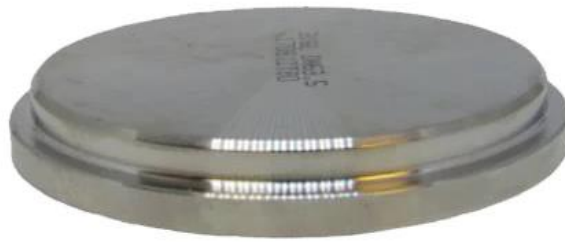
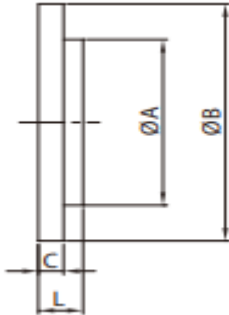
| Size | A | B | C | L | Weight (Kgs) | Item No. |
|--------|-------|--------|--------|------|--------------|--------------|
| 1" | 22.50 | 25.00 | 35.50 | 15.5 | 0.04 | 26302 |
| 1 1/2" | 35.50 | 38.00 | 55.00 | 16 | 0.08 | 26303 |
| 2" | 48.50 | 51.00 | 65.00 | 17 | 0.11 | 26304 |
| 2 1/2" | 60.50 | 63.50 | 80.00 | 17 | 0.15 | 26305 |
| 3" | 72.90 | 76.10 | 93.00 | 19 | 0.22 | 26306 |
| 4" | 97.60 | 101.60 | 118.00 | 19 | 0.31 | 26307 |
| 4" | 98.50 | 101.60 | 127.00 | 19 | 0.32 | 26308 |

Please contact sales team if Dimensions are critical - Dimensions are Indicative

3.1 Certificates available for all Stainless Parts - All Seals supplied FDA Approved

SMS UNIONS

SMS Blank Liner 316L - Ra ≤0.8



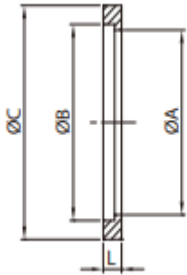
| Size | A | B | C | L | Weight (Kgs) | Item No. |
|--------|--------|--------|------|-------|--------------|----------|
| 1" | 32.00 | 35.50 | 3.50 | 7.50 | 0.05 | 26332 |
| 1 1/2" | 48.00 | 55.00 | 5.00 | 9.00 | 0.15 | 26333 |
| 2" | 60.00 | 65.00 | 5.00 | 10.00 | 0.19 | 26334 |
| 2 1/2" | 73.50 | 80.00 | 5.00 | 10.00 | 0.29 | 26335 |
| 3" | 86.00 | 93.00 | 5.00 | 11.00 | 0.54 | 26336 |
| 4" | 112.00 | 118.00 | 6.00 | 11.00 | 1.34 | 27455 |
| 4" | 116.00 | 128.00 | 6.00 | 11.00 | 1.38 | 27456 |

Please contact sales team if Dimensions are critical - Dimensions are Indicative

3.1 Certificates available for all Stainless Parts - All Seals supplied FDA Approved

SMS UNIONS

SMS L Type Seal



| Size | A | B | C | L | Weight (Kgs) | EPDM (Black) | EPDM (Blue) | NBR (Blue) | VITON (Green) |
|--------|--------|--------|--------|------|--------------|--------------|-------------|------------|---------------|
| 1" | 22.80 | 25.10 | 31.80 | 5.30 | 0.01 | 26314 | 26350 | 27420 | 27426 |
| 1 1/2" | 35.80 | 38.10 | 47.80 | 5.30 | 0.01 | 26315 | 26351 | 27421 | 27427 |
| 2" | 48.80 | 51.10 | 60.80 | 5.30 | 0.01 | 26316 | 26352 | 27422 | 27428 |
| 2 1/2" | 61.00 | 63.60 | 73.30 | 5.30 | 0.01 | 26317 | 26353 | 27423 | 27429 |
| 3" | 73.40 | 76.10 | 85.80 | 5.30 | 0.01 | 26318 | 26354 | 27424 | 27430 |
| 4" | 100.50 | 104.00 | 115.70 | 5.30 | 0.01 | 26319 | 26355 | 27425 | 27431 |

Please contact sales team if Dimensions are critical - Dimensions are Indicative

3.1 Certificates available for all Stainless Parts - All Seals supplied FDA Approved

SMS UNIONS

SMS Complete Union Fully Assembled - EPDM L Type Seal



| Size | Weight (Kgs) | Item No. |
|--------|--------------|----------|
| 1" | 0.29 | 26340 |
| 1 1/2" | 0.41 | 26341 |
| 2" | 0.55 | 26342 |
| 2 1/2" | 0.94 | 26343 |
| 3" | 1.25 | 26344 |
| 4" | 1.59 | 26345 |

Please contact sales team if Dimensions are critical - Dimensions are Indicative

3.1 Certificates available for all Stainless Parts - All Seals supplied FDA Approved