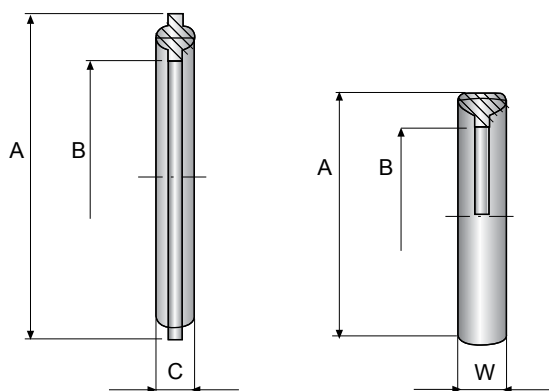


Gaskets



TEG40 - GASKET

| Nominal Size in. | | | | | | | | | Ordering Code |
|------------------|-------|--------|-------|--------|-------|------|-------|------|---------------|
| | A in. | A mm | B in. | B mm | C in. | C mm | W in. | W mm | |
| ½ | 1.000 | 25.40 | 0.370 | 9.40 | - | - | 0.22 | 5.50 | TEG40.5* |
| ¾ | 1.000 | 25.40 | 0.618 | 15.70 | - | - | 0.22 | 5.50 | TEG40.75* |
| 1 Type A | 1.340 | 34.00 | 0.900 | 22.86 | 0.20 | 5.08 | - | - | TEG401.0-A* |
| 1 | 1.975 | 50.16 | 0.900 | 22.86 | 0.20 | 5.08 | - | - | TEG401.0* |
| 1½ | 1.975 | 50.16 | 1.400 | 35.56 | 0.20 | 5.08 | - | - | TEG401.5* |
| 2 | 2.500 | 63.50 | 1.900 | 48.26 | 0.20 | 5.08 | - | - | TEG402.0* |
| 2½ | 3.000 | 76.20 | 2.400 | 60.96 | 0.20 | 5.08 | - | - | TEG402.5* |
| 3 | 3.575 | 90.80 | 2.900 | 73.66 | 0.20 | 5.08 | - | - | TEG403.0* |
| 4 | 4.690 | 119.12 | 3.875 | 98.42 | 0.20 | 5.08 | - | - | TEG404.0* |
| 6 | 6.600 | 167.64 | 5.840 | 148.33 | 0.20 | 5.08 | - | - | TEG406.0* |

* Please specify the gasket material.

Note: Gaskets are type USP Class VI Pharmaceutical Grade.

GASKET MATERIALS:

PTFE®

VITON®

Envelope type - TEFLON with EPDM Filler

TEFLON with VITON Filler

SILICON

BUNA

EPDM and TEF-STEEL®