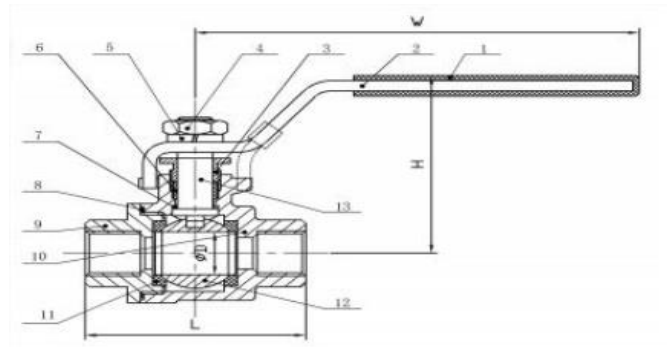


## STAINLESS STEEL 2PC FULL BORE BALL VALVE BSP THREADS – ISO-7



DN	G	D	L	H	W	Weight kgs	Item no
8	1/4"	9.00	48.00	46.00	100	0.15	29040
10	3/8"	12.50	48.00	47.00	100	0.16	29041
15	1/2"	15.00	56.00	48.00	100	0.17	29042
20	3/4"	20.00	64.00	57.50	112	0.32	29043
25	1"	25.00	76.00	61.00	112	0.47	29044
32	1 1/4"	32.00	86.50	77.50	145	0.90	29045
40	1 1/2"	38.00	97.50	82.00	145	1.29	29046
50	2"	50.00	117.50	98.00	165	2.18	29047
65	2 1/2"	65.00	144.00	118.00	230	6.00	28228

### MATERIAL LIST

ITEM	DESCRIPTION	MATERIAL
1	PLASTIC COVER	PLASTIC
2	HANDLE	304/201
3	GLAND NUT	304
4	STEM NUT	304
5	THRUST WASHER	304
6	STEM PACKING	PTFE
7	STEM SEAL	PTFE
8	BODY SEAL	PTFE
9	CAP	CF8/CF8M
10	BODY	CF8/CF8M
11	BALL SEAT	RPTFE
12	BALL SEAT	316
13	STEM	304

### FEATURES

- Working pressure: 1000PSI (PN64)
- Working temperature: -10 Deg to 150 Deg C
- Thread: BSP-ISO-7
- PED97/23/EC (CE0343) Approved

Please contact sales team if Dimensions are critical - Dimensions are Indicative