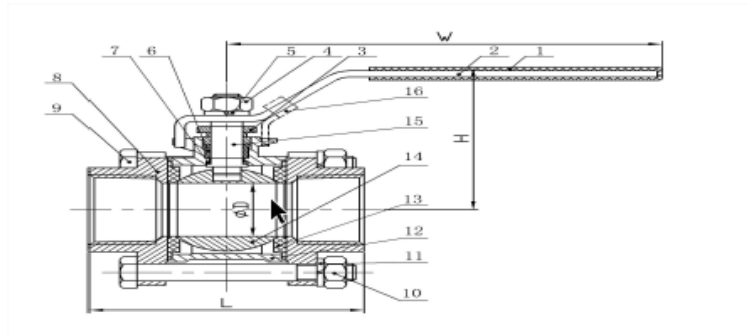


STAINLESS STEEL 3PC FULL BORE BALL VALVE

BSP THREADS – ISO-7



DN	G	D	L	H	W	Weight kgs	Item no
15	1/2"	15.00	62.00	49.00	100	0.40	29053
20	3/4"	20.00	69.00	60.00	112	0.58	29054
25	1"	25.00	79.00	64.00	112	0.80	29055
32	1 1/4"	32.00	96.00	80.00	145	1.55	29056
40	1 1/2"	38.00	102.00	83.00	145	1.95	29057
50	2"	50.00	124.00	97.00	165	2.65	29058

MATERIAL LIST

ITEM	DESCRIPTION	MATERIAL
1	PLASTIC COVER	PLASTIC
2	HANDLE	304
3	GLAND NUT	304
4	STEM NUT	304
5	THRUST WASHER	304
6	STEM PACKING	PTFE
7	THRUST WASHER	PTFE
8	CAP	CF8/CF8M
9	BOLT	304
10	NUT	304
11	THRUST WASHER	304
12	BODY	CF8/CF8M
13	BALL SEAT	PTFE/RPTFE
14	BALL SEAT	316
15	STEM	304
16	LOCKING	304

FEATURES

- Working pressure: 1/2" - 1 1/2" 1000PSI (PN64)
- Working pressure: 2" - 600PSI (PN40)
- Working temperature: -10 Deg to 150 Deg C
- Thread: BSP ISO-7
- PED97/23/EC (CE0343) Approved

Please contact sales team if Dimensions are critical - Dimensions are Indicative